



# COOK

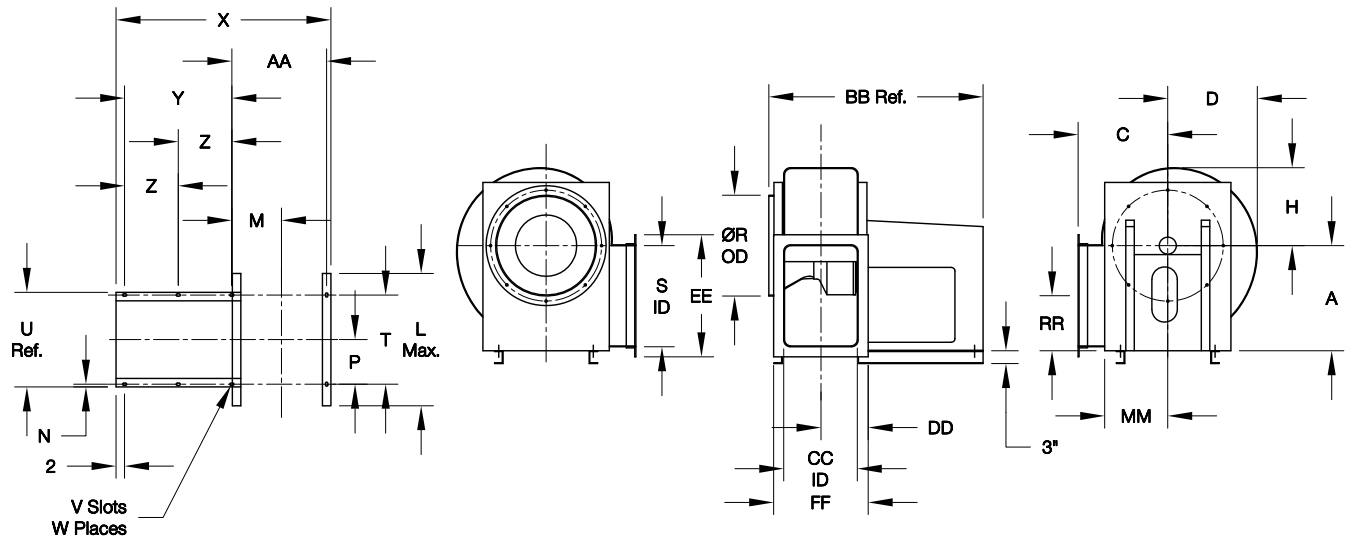
# FCP

DATE: \_\_\_\_\_

PROJECT: \_\_\_\_\_

LOCATION: \_\_\_\_\_

## Fiberglass Centrifugal Blower Clockwise Bottom Horizontal Arrangement 10, Class II



### STANDARD CONSTRUCTION FEATURES:

Solid corrosion resistant fiberglass wheel model from vinylester resin – The housing and other standard components are of corrosion resistant fiberglass from polyester resin with a Class I flame spread rate of 25 or less – No metal parts in the airstream – Motor, drives, and bearings are easily accessible – Heavy duty ball or roller bearings with extended lube lines – Shaft with fiberglass sleeve in airstream and sized to operate well below critical speed – Neoprene shaft seal – Airstream hardware 304 Stainless steel and encapsulated – Outlet flange – Weather cover.

### ACCESSORIES

- |                                 |                             |
|---------------------------------|-----------------------------|
| 1. OUTLET FLANGE HOLE PATTERN   | 9. BELT GUARD               |
| 2. FLANGED INLET                | 10. SHAFT GUARD             |
| 3. FLANGED INLET HOLE PATTERN   | 11. INLET VANE DAMPER       |
| 4. SPARK RESISTANT CONSTRUCTION | 12. OUTLET DAMPER           |
| 5. DRAIN                        | 13. ELECTROSTATIC GROUNDING |
| 6. ACCESS DOOR                  | 14. INLET GUARD             |
| 7. INSPECTION DOOR              | 15. DISCHARGE GUARD         |
| 8. DISCONNECT SWITCH            |                             |

### DIMENSION DATA

| Size | A      | C        | D        | H       | L      | M       | N     | P       | R       | S        | T      | U      | V           |
|------|--------|----------|----------|---------|--------|---------|-------|---------|---------|----------|--------|--------|-------------|
| 120  | 17     | 13       | 11-5/8   | 10-1/16 | 20-3/4 | 7-15/16 | 5/8   | 9-3/4   | 12-1/4  | 12-7/8   | 19-1/2 | 20-3/4 | 9/16X1      |
| 150  | 17     | 16-3/16  | 14-3/4   | 12-7/8  | 20-3/4 | 9-3/16  | 5/8   | 9-3/4   | 16-3/8  | 16-1/8   | 19-1/2 | 20-3/4 | 9/16X1      |
| 180  | 20     | 19       | 17-11/16 | 15-7/16 | 24-3/4 | 9-5/16  | 5/8   | 10-1/2  | 19-3/8  | 19-3/8   | 21     | 22-1/4 | 9/16X1      |
| 225  | 24-3/4 | 21-1/8   | 21-1/2   | 18-3/4  | 29-3/4 | 10-7/8  | 5/8   | 11-1/8  | 23-3/8  | 23-11/16 | 22-1/4 | 23-1/2 | 9/16X1      |
| 245  | 27     | 23       | 23-5/16  | 20-5/16 | 31-1/8 | 11-5/8  | 5/8   | 10-1/2  | 25-3/4  | 25-3/4   | 21     | 22-1/4 | 9/16X1      |
| 270  | 28-1/2 | 24       | 26-3/8   | 23-1/4  | 34-3/8 | 13-1/16 | 13/16 | 13-3/16 | 28-5/8  | 29       | 26-3/8 | 28     | 11/16X1-1/2 |
| 300  | 30-1/2 | 28-1/2   | 28-9/16  | 25-3/16 | 37-5/8 | 14      | 13/16 | 13-7/8  | 31-1/16 | 31-1/2   | 27-3/4 | 29-3/8 | 11/16X1-1/2 |
| 330  | 37     | 28-11/16 | 31-3/8   | 27-5/8  | 41-5/8 | 15-1/8  | 13/16 | 13-7/8  | 34-1/16 | 34-11/16 | 27-3/4 | 29-3/8 | 11/16X1-1/2 |
| 365  | 37     | 31-1/4   | 33-13/16 | 29-3/8  | 44-1/8 | 16-1/4  | 13/16 | 13-7/8  | 37-1/16 | 37-13/16 | 27-3/4 | 29-3/8 | 11/16X1-1/2 |

| Size | W | X        | Y      | Z        | AA       | BB       | CC       | DD       | EE       | FF       | RR       | Approx. Unit Wt. |
|------|---|----------|--------|----------|----------|----------|----------|----------|----------|----------|----------|------------------|
| 120  | 6 | 36-11/16 | 19-5/8 | -        | 14-1/16  | 37-5/8   | 9-5/16   | 8-1/8    | 18-1/8   | 14-3/8   | 10-9/16  | 188              |
| 150  | 6 | 39-1/16  | 19-5/8 | -        | 16-7/16  | 40-1/8   | 11-11/16 | 9-5/16   | 21-1/16  | 16-5/8   | 8-15/16  | 215              |
| 180  | 6 | 46-1/8   | 25-1/4 | -        | 17-7/8   | 47-1/16  | 14       | 10-9/16  | 24-1/2   | 19-1/16  | 10-3/8   | 309              |
| 225  | 6 | 49-1/4   | 25-1/4 | -        | 21       | 50-3/16  | 17-1/8   | 12-1/8   | 28-3/4   | 22-1/4   | 12-15/16 | 397              |
| 245  | 6 | 50-3/4   | 25-1/4 | -        | 22-1/2   | 51-3/4   | 18-11/16 | 12-15/16 | 30-13/16 | 23-11/16 | 14-1/8   | 554              |
| 270  | 8 | 58       | 29-5/8 | 14-13/16 | 25-3/8   | 59       | 21       | 14-5/16  | 36       | 28       | 14       | 728              |
| 300  | 8 | 63-3/16  | 33     | 16-1/2   | 27-3/16  | 64-3/16  | 22-13/16 | 15-1/4   | 38-1/2   | 29-13/16 | 14-3/4   | 878              |
| 330  | 8 | 65-9/16  | 33     | 16-1/2   | 29-9/16  | 66-9/16  | 25-1/8   | 16-7/16  | 41-5/8   | 32-1/8   | 19-11/16 | 1013             |
| 365  | 8 | 67-13/16 | 33     | 16-1/2   | 31-13/16 | 68-13/16 | 27-7/16  | 17-9/16  | 44-13/16 | 34-3/8   | 18-1/8   | 1131             |

ALL DIMENSIONS IN INCHES. WEIGHTS IN LBS., LESS MOTOR.