



# COOK

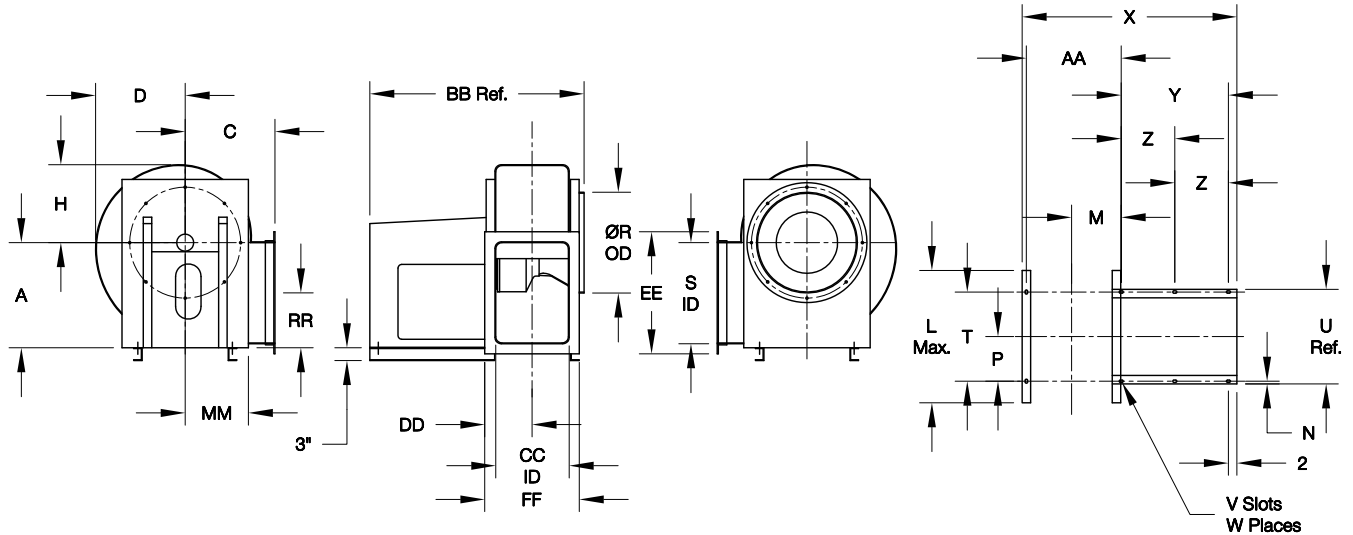
# FCP

DATE: \_\_\_\_\_

PROJECT: \_\_\_\_\_

LOCATION: \_\_\_\_\_

## Fiberglass Centrifugal Blower Counterclockwise Bottom Horizontal Arrangement 10, Class II



### STANDARD CONSTRUCTION FEATURES:

Solid corrosion resistant fiberglass wheel model from vinylester resin – The housing and other standard components are of corrosion resistant fiberglass from polyester resin with a Class I flame spread rate of 25 or less – No metal parts in the airstream – Motor, drives, and bearings are easily accessible – Heavy duty ball or roller bearings with extended lube lines – Shaft with fiberglass sleeve in airstream and sized to operate well below critical speed – Neoprene shaft seal – Airstream hardware 304 Stainless steel and encapsulated – Outlet flange – Weather cover.

### ACCESSORIES

- |                                 |                             |
|---------------------------------|-----------------------------|
| 1. OUTLET FLANGE HOLE PATTERN   | 9. BELT GUARD               |
| 2. FLANGED INLET                | 10. SHAFT GUARD             |
| 3. FLANGED INLET HOLE PATTERN   | 11. INLET VANE DAMPER       |
| 4. SPARK RESISTANT CONSTRUCTION | 12. OUTLET DAMPER           |
| 5. DRAIN                        | 13. ELECTROSTATIC GROUNDING |
| 6. ACCESS DOOR                  | 14. INLET GUARD             |
| 7. INSPECTION DOOR              | 15. DISCHARGE GUARD         |
| 8. DISCONNECT SWITCH            |                             |

### DIMENSION DATA

Size	A	C	D	H	L	M	N	P	R	S	T	U	V
120	17	13	11-5/8	10-1/16	20-3/4	7-15/16	5/8	9-3/4	12-1/4	12-7/8	19-1/2	20-3/4	9/16X1
150	17	16-3/16	14-3/4	12-7/8	20-3/4	9-3/16	5/8	9-3/4	16-3/8	16-1/8	19-1/2	20-3/4	9/16X1
180	20	19	17-11/16	15-7/16	24-3/4	9-5/16	5/8	10-1/2	19-3/8	19-3/8	21	22-1/4	9/16X1
225	24-3/4	21-1/8	21-1/2	18-3/4	29-3/4	10-7/8	5/8	11-1/8	23-3/8	23-11/16	22-1/4	23-1/2	9/16X1
245	27	23	23-5/16	20-5/16	31-1/8	11-5/8	5/8	10-1/2	25-3/4	25-3/4	21	22-1/4	9/16X1
270	28-1/2	24	26-3/8	23-1/4	34-3/8	13-1/16	13/16	13-3/16	28-5/8	29	26-3/8	28	11/16X1-1/2
300	30-1/2	28-1/2	28-9/16	25-3/16	37-5/8	14	13/16	13-7/8	31-1/16	31-1/2	27-3/4	29-3/8	11/16X1-1/2
330	37	28-11/16	31-3/8	27-5/8	41-5/8	15-1/8	13/16	13-7/8	34-1/16	34-11/16	27-3/4	29-3/8	11/16X1-1/2
365	37	31-1/4	33-13/16	29-3/8	44-1/8	16-1/4	13/16	13-7/8	37-1/16	37-13/16	27-3/4	29-3/8	11/16X1-1/2

Size	W	X	Y	Z	AA	BB	CC	DD	EE	FF	RR	Approx. Unit Wt.
120	6	36-11/16	19-5/8	-	14-1/16	37-5/8	9-5/16	8-1/8	18-1/8	14-3/8	10-9/16	188
150	6	39-1/16	19-5/8	-	16-7/16	40-1/8	11-11/16	9-5/16	21-1/16	16-5/8	8-15/16	215
180	6	46-1/8	25-1/4	-	17-7/8	47-1/16	14	10-9/16	24-1/2	19-1/16	10-3/8	309
225	6	49-1/4	25-1/4	-	21	50-3/16	17-1/8	12-1/8	28-3/4	22-1/4	12-15/16	397
245	6	50-3/4	25-1/4	-	22-1/2	51-3/4	18-11/16	12-15/16	30-13/16	23-11/16	14-1/8	554
270	8	58	29-5/8	14-13/16	25-3/8	59	21	14-5/16	36	28	14	728
300	8	63-3/16	33	16-1/2	27-3/16	64-3/16	22-13/16	15-1/4	38-1/2	29-13/16	14-3/4	878
330	8	65-9/16	33	16-1/2	29-9/16	66-9/16	25-1/8	16-7/16	41-5/8	32-1/8	19-11/16	1013
365	8	67-13/16	33	16-1/2	31-13/16	68-13/16	27-7/16	17-9/16	44-13/16	34-3/8	18-1/8	1131

ALL DIMENSIONS IN INCHES. WEIGHTS IN LBS., LESS MOTOR.