



COOK

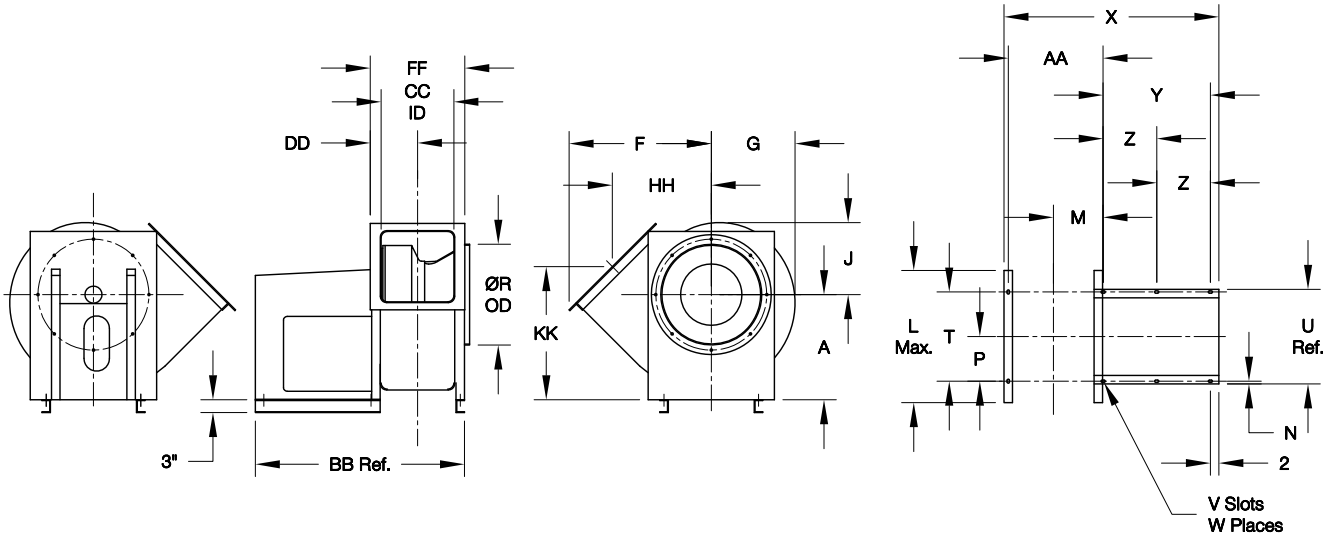
FCP-66

DATE: _____

PROJECT: _____

LOCATION: _____

Fiberglass Centrifugal Blower Counterclockwise Bottom Angular Up Arrangement 10, Class II



STANDARD CONSTRUCTION FEATURES:

Solid corrosion resistant fiberglass wheel model from vinylester resin – The housing and other standard components are of corrosion resistant fiberglass from polyester resin with a Class I flame spread rate of 25 or less – No metal parts in the airstream – Motor, drives, and bearings are easily accessible – Heavy duty ball or roller bearings with extended lube lines – Shaft with fiberglass sleeve in airstream and sized to operate well below critical speed – Neoprene shaft seal – Airstream hardware 304 Stainless steel and encapsulated – Outlet flange – Weather cover.

ACCESSORIES

- | | |
|---------------------------------|-----------------------------|
| 1. OUTLET FLANGE HOLE PATTERN | 9. BELT GUARD |
| 2. FLANGED INLET | 10. SHAFT GUARD |
| 3. FLANGED INLET HOLE PATTERN | 11. INLET VANE DAMPER |
| 4. SPARK RESISTANT CONSTRUCTION | 12. OUTLET DAMPER |
| 5. DRAIN | 13. ELECTROSTATIC GROUNDING |
| 6. ACCESS DOOR | 14. INLET GUARD |
| 7. INSPECTION DOOR | 15. DISCHARGE GUARD |
| 8. DISCONNECT SWITCH | |

DIMENSION DATA

Size	A	F	G	J	L	M	N	P	R	S	T	U	V
120	17	20-3/16	10-13/16	9-3/8	20-3/4	7-5/8	5/8	9-3/4	12-1/4	12-7/8	19-1/2	20-3/4	9/16X1
150	17	25-5/16	13-13/16	11-15/16	20-3/4	8-7/16	5/8	9-3/4	16-3/8	16-1/8	19-1/2	20-3/4	9/16X1
180	20	29-5/8	16-9/16	14-5/16	24-3/4	8-1/2	5/8	10-1/2	19-3/8	19-3/8	21	22-1/4	9/16X1
225	24-3/4	34-1/8	20-1/8	17-3/8	29-3/4	9-7/8	5/8	11-1/8	23-3/8	23-11/16	22-1/4	23-1/2	9/16X1
245	27	36-15/16	21-13/16	18-13/16	31-1/8	10-1/2	5/8	10-1/2	25-3/4	25-3/4	21	22-1/4	9/16X1
270	28-1/2	39-15/16	24-15/16	21-9/16	34-3/8	11-3/16	13/16	13-3/16	28-5/8	29	26-3/8	28	11/16X1-1/2
300	30-1/2	44-3/4	27	23-3/8	37-5/8	12-5/8	13/16	13-7/8	31-1/16	31-1/2	27-3/4	29-3/8	11/16X1-1/2
330	37	47-1/4	29-5/8	25-9/16	41-5/8	13-5/8	13/16	13-7/8	34-1/16	34-11/16	27-3/4	29-3/8	11/16X1-1/2
365	37	51-5/16	31-5/8	27-3/16	44-1/8	14-5/8	13/16	13-7/8	37-1/16	37-13/16	27-3/4	29-3/8	11/16X1-1/2

Size	W	X	Y	Z	AA	BB	CC	DD	EE	FF	HH	KK	Approx. Unit Wt.
120	6	36	19-5/8	-	13-3/8	37	8-11/16	7-13/16	18-1/8	13-1/2	13-3/4	21-11/16	188
150	6	37-5/8	19-5/8	-	15	38-5/8	10-5/16	8-1/2	21-1/16	15-1/4	17-3/16	22-3/4	215
180	6	44-3/8	25-1/4	-	16-1/8	45-3/8	12-5/16	9-11/16	24-1/2	17-3/8	20-5/16	26-5/8	309
225	6	47-1/8	25-1/4	-	18-7/8	48-1/8	15-1/16	11-1/16	28-3/4	20-3/16	23-5/16	31-5/16	397
245	6	48-1/2	25-1/4	-	20-1/4	49-1/2	16-3/8	11-3/4	30-13/16	21-1/2	25-3/8	34-3/16	554
270	8	55-7/16	29-5/8	14-13/16	22-13/16	56-1/2	18-1/2	13-1/16	36	25-1/2	27-1/4	35-1/4	728
300	8	60-7/16	33	16-1/2	24-7/16	61-1/2	20-1/8	13-7/8	38-1/2	27-1/8	31-1/8	39-3/8	878
330	8	62-1/2	33	16-1/2	26-1/2	63-9/16	22-1/8	14-15/16	41-5/8	29-1/8	32-9/16	45-1/16	1013
365	8	64-1/2	33	16-1/2	28-1/2	65-9/16	24-1/8	15-15/16	44-13/16	31-1/8	35-1/2	45-3/4	1131

ALL DIMENSIONS IN INCHES. WEIGHTS IN LBS., LESS MOTOR.