

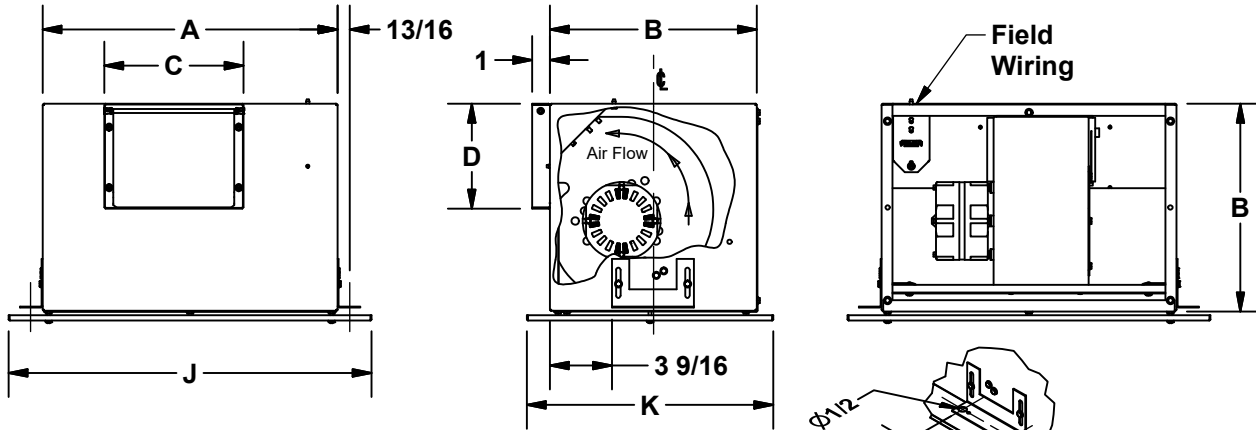
DATE: _____

PROJECT: _____

LOCATION: _____

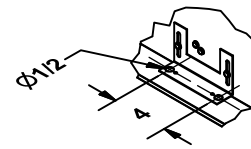


Ceiling and Wall Blowers 200 thru 700 Series



STANDARD CONSTRUCTION FEATURES:

Forward curved galvanized steel fan wheels - Corrosion resistant galvanized steel fan housing - Acoustically insulated housing - Aluminum backdraft damper with solid aluminum hinge rod mounted in brass bushings - Permanently lubricated motor with built-in thermal overload protection and disconnect plug - Interchangeable panels with removable fasteners allows the discharge to be easily changed - Internal wiring box with disconnect receptacle - Powder-painted white steel grille - Plastic grill standard on sizes 222, 242, 322 and 342. *Models 222 & 242 are the only models qualified for Energy Star.



MOUNTING BRACKET
DETAIL

ACCESSORIES

1. FAN SPEED CONTROL (FSC)
2. ROOF JACK
3. ROOF CAP
4. WALL CAP
5. EAVE ELBOW (322-740)
6. DELUXE ALUMINUM GRILLE
7. FILTER
8. BRICK VENT
9. CEILING RADIATION DAMPER
10. HANGING VIBRATION ISOLATOR
11. TIME DELAY SWITCH
12. 277 VOLT TRANSFORMER
13. 8" ROUND WALL CAP W/ DAMPER (222-522)
14. 6" & 8" ROUND DUCT ADAPTOR (222-522)
15. ROOF CURB

DIMENSION DATA

Fan Size GC-	DIM A	DIM B	DIM C	DIM D	Steel Grille Dim J	Steel Grille Dim K	Deluxe Alum Grille Dim J	Deluxe Alum Grille Dim K	Plastic Grille Dim J	Plastic Grille Dim K	Ship Wt.
222, 242 *	12 3/8	9 3/4	6	4 1/2	16 3/8	13 5/8	14 1/4	11 1/4	15 1/2	13 1/4	22
322, 342	12 3/8	10 3/4	8	6	16 3/8	13 5/8	14 1/4	12 1/4	15 1/2	13 1/4	25
422	17	11 7/8	8	6	21	14 1/4	18 3/4	13 3/4	-	-	30
522, 542	17	11 7/8	8	6	21	14 1/4	18 3/4	13 3/4	-	-	32
622, 642	17	11 7/8	10 1/2	4 3/4	21	14 1/4	18 3/4	13 3/4	-	-	35
720, 740	17	11 7/8	10 1/2	4 3/4	21	14 1/4	18 3/4	13 3/4	-	-	36

ALL DIMENSIONS IN INCHES. WEIGHTS IN LBS.

QTY	MARK	CATALOG NUMBER (see above)	FAN INFORMATION			MOTOR INFORMATION				ACCESSORIES			
			CFM	SP	RPM	HP	VOLTS	HZ	PH		TYPE		

MOTOR TYPE: PSC (Permanent Split Capacitor)