

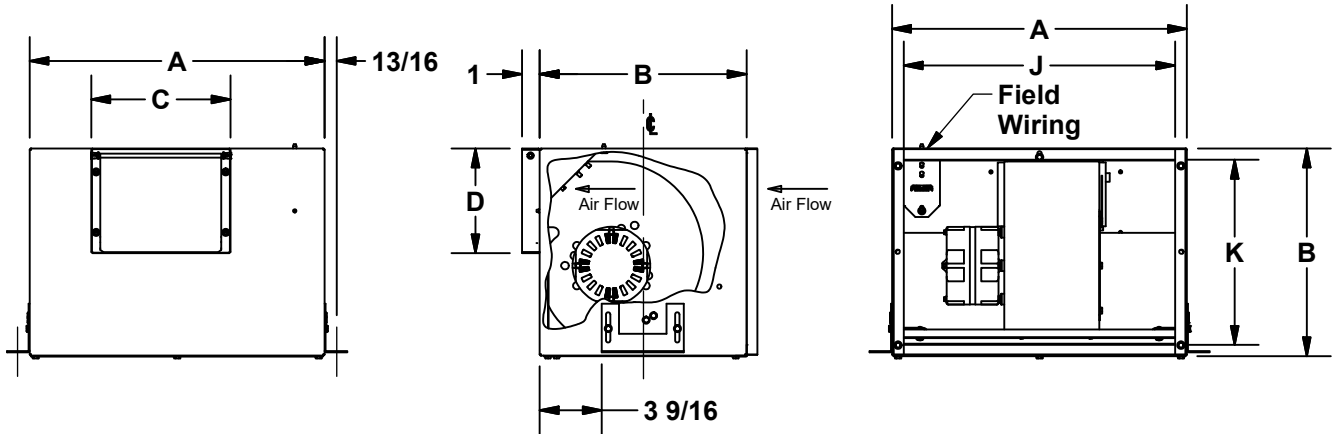
DATE: _____

PROJECT: _____

LOCATION: _____

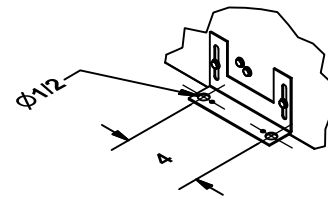


Inline Blowers 200 thru 700 Series



STANDARD CONSTRUCTION FEATURES:

Forward curved galvanized steel fan wheels - Corrosion resistant galvanized steel fan housing - Acoustically insulated housing - Aluminum backdraft damper with solid aluminum hinge rod mounted in brass bushings - Permanently lubricated motor with built-in thermal overload protection and disconnect plug - Interchangeable panels with removable fasteners allows the intake to be easily changed - Internal wiring box with disconnect receptacle



MOUNTING BRACKET
DETAIL

DIMENSION DATA

Fan Size GN-	DIM A	DIM B	DIM C	DIM D	Inlet Dim J	Inlet Dim K	Ship Wt.
222, 242 *	12 3/8	9 3/4	6	4 1/2	16 3/8	13 5/8	22
322, 342	12 3/8	10 3/4	8	6	16 3/8	13 5/8	25
422	17	11 7/8	8	6	21	14 1/4	30
522, 542	17	11 7/8	8	6	21	14 1/4	32
622, 642	17	11 7/8	10 1/2	4 3/4	21	14 1/4	35
720, 740	17	11 7/8	10 1/2	4 3/4	21	14 1/4	36

ALL DIMENSIONS IN INCHES. WEIGHTS IN LBS.

ACCESSORIES

- FAN SPEED CONTROL (FSC)
- ROOF JACK
- ROOF CAP
- WALL CAP
- EAVE ELBOW (322-740)
- FILTER
- BRICK VENT
- CEILING RADIATION DAMPER
- HANGING VIBRATION ISOLATOR
- TIME DELAY SWITCH
- 277 VOLT TRANSFORMER
- 8" ROUND WALL CAP WITH DAMPER (222-522)
- 6" & 8" ROUND DUCT DAMPER (222-522)
- ROOF CURB

QTY	MARK	CATALOG NUMBER (see above)	FAN INFORMATION			MOTOR INFORMATION				ACCESSORIES
			CFM	SP	RPM	HP	VOLTS	HZ	PH	

MOTOR TYPE: PSC (Permanent Split Capacitor)