

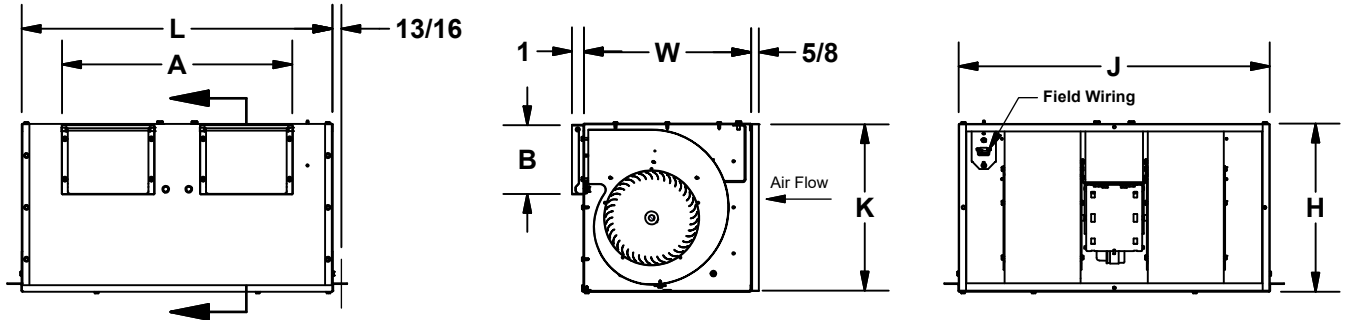
DATE: _____

PROJECT: _____

LOCATION: _____

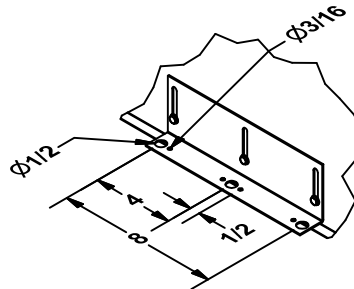


Inline Blowers 800 - 900 Series



CATALOG NUMBER DEFINITION:

GN - 800

 Fan Size
 Model: GN = Gemini (Inline Mount)


Mounting
Bracket
Detail

ACCESSORIES

1. FAN SPEED CONTROL (2 Speed & Remote)
2. ROOF JACK
3. ROOF CAP
4. WALL CAP
5. EAVE ELBOW
6. FILTER
7. BRICK VENT
8. CEILING RADIATION DAMPER
9. HANGING VIBRATION ISOLATOR
10. TIME DELAY SWITCH
11. 277 VOLT TRANSFORMER
12. ROOF CURB

STANDARD CONSTRUCTION FEATURES:

Twin forward curved galvanized steel fan wheels - Corrosion resistant galvanized steel fan housing - Acoustically insulated housing - Aluminum backdraft damper with solid aluminum hinge rod mounted in nylon bushings - Permanently lubricated motor with built-in thermal overload protection and disconnect plug - Interchangeable panels with removable fasteners allows the intake to be easily changed - Internal wiring box with disconnect receptacle.

DIMENSION DATA

Fan Size GN-	DIM L	DIM W	DIM H	DIM A	DIM B	Inlet Dim J	Inlet Dim K	Ship Wt.
800	27	14 11/16	14 11/16	20	6	27	14 1/2	74
900	31	14 11/16	14 11/16	24 1/4	6	31	14 1/2	86

ALL DIMENSIONS IN INCHES. WEIGHTS IN LBS.

QTY	MARK	CATALOG NUMBER (see above)	FAN INFORMATION			MOTOR INFORMATION					ACCESSORIES	
			CFM	SP	RPM	HP	VOLTS	HZ	PH	TYPE		

MOTOR TYPE: ODP (Open Drip Proof); TENV (Totally Enclosed Non-Ventilating).