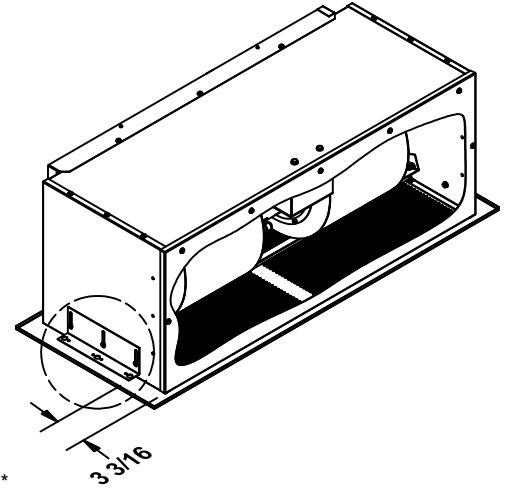
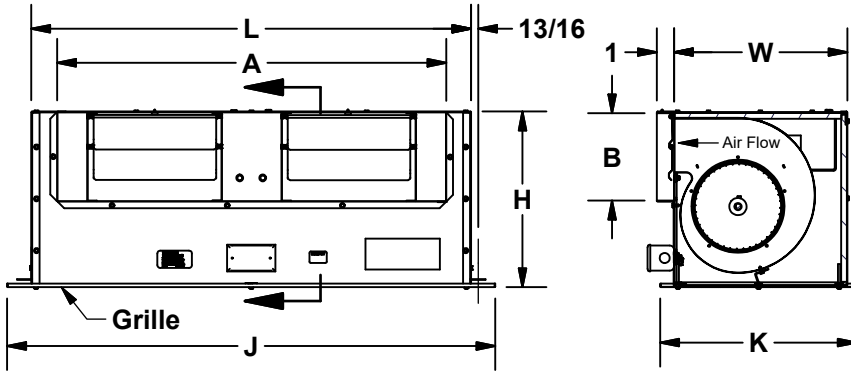


DATE: _____
 PROJECT: _____
 LOCATION: _____



Ceiling and Wall Blowers 1000 - 2000 Series



CATALOG NUMBER DEFINITION:

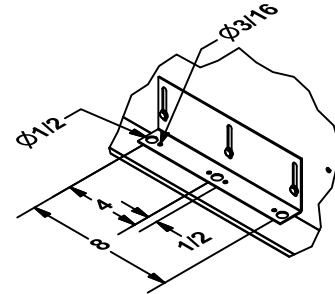
GC - 1000
 Fan Size
 Model: GC = Gemini (Ceiling Mount)

ACCESSORIES

1. FAN SPEED CONTROL (FSC)*
2. ROOF CAP
3. BRICK VENT
4. HANGING VIBRATION ISOLATOR

STANDARD CONSTRUCTION FEATURES:

Twin forward curved galvanized steel fan wheels - Corrosion resistant galvanized steel fan housing - Acoustically insulated housing - Aluminum backdraft damper with solid aluminum hinge rod mounted in nylon bushings - Permanently lubricated motor with built-in thermal overload protection - Interchangeable panels with removable fasteners allow the intake to be easily changed - Internal wiring box with disconnect receptacle - Powder-painted white steel grille.



Mounting Bracket Detail

DIMENSION DATA

Fan Size GC-	DIM L	DIM W	DIM H	DIM A	DIM B	Std Grille Dim J	Std Grille Dim K	Ship Wt.
1000	38 1/8	15 1/4	15 1/4	33 11/16	7 11/16	42 3/8	17 1/8	125
2000	45 7/16	16 5/8	16 5/8	41 1/8	9 5/8	49 1/2	18 1/2	165

ALL DIMENSIONS IN INCHES. WEIGHTS IN LBS.

*Not available for 3-Phase Motor

QTY	MARK	CATALOG NUMBER (see above)	FAN INFORMATION			MOTOR INFORMATION					ACCESSORIES								
			CFM	SP	RPM	HP	VOLTS	HZ	PH	TYPE									

MOTOR TYPE: TENV (Totally Enclosed Non-Ventilating).