



COOK

GEMINI Vari-Flow®

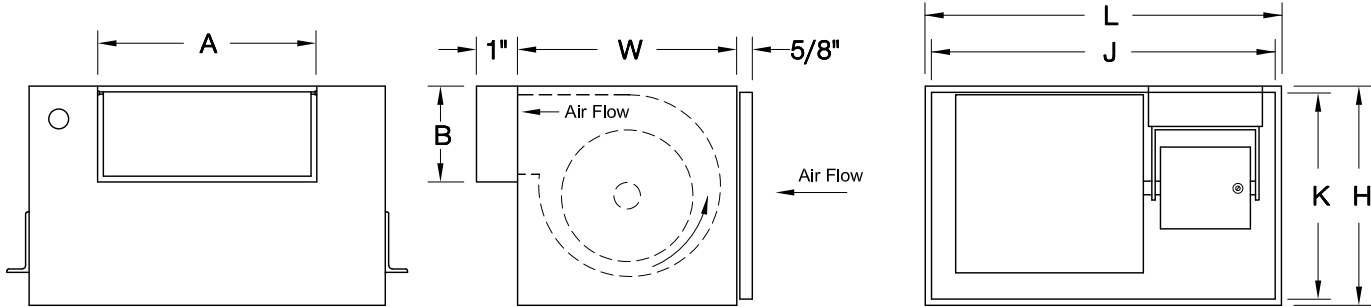
DATE: _____

PROJECT: _____

LOCATION: _____



Inline Blowers 500-900 Series

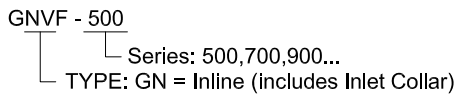


DIMENSION DATA

Model No.	Housing			Outlet		Inlet		Ship Wt.
	L	W	H	A	B	J	K	
500 GNVF	17	11-15/16	11-15/16	8	6	16-15/16	11-7/8	32
700 GNVF	21	11-15/16	11-15/16	10-1/2	4-3/4	20-15/16	11-7/8	36
900 GNVF	31	14-11/16	14-11/16	24-1/4	6	30-15/16	14-5/8	86

ALL DIMENSIONS IN INCHES. WEIGHTS IN LBS.

CATALOG NUMBER DEFINITION:



STANDARD CONSTRUCTION FEATURES:

Forward curved galvanized steel fan wheels - Corrosion resistant galvanized steel fan housing - Acoustically insulated housing - Aluminum backdraft damper with solid aluminum hinge rod mounted in brass bushings - Permanently lubricated ball bearing electronically commutated Vari-Flow® motor with disconnect plug - Motor mounted speed control - Interchangeable panels with removable fasteners allows the discharge to be easily changed - Internal wiring box with disconnect receptacle.

ACCESSORIES

- EXTERNAL SIGNAL SPEED CONTROL
- FAN SPEED CONTROL
- PRESSURE CONTROLLER
- WALL CAP
- EAVE ELBOW (500 ONLY)
- DELUXE ALUMINUM GRILLE
- FILTER
- BRICK VENT (500 & 900)
- CEILING RADIATION DAMPER (500 & 900)
- HANGING VIBRATION ISOLATOR
- TIME DELAY SWITCH
- ROOF JACK
- 8" ROUND WALL CAP WITH DAMPER (500 ONLY)
- 6" AND 8" ROUND DUCT ADAPTOR (500 ONLY)
- ROOF CURB
- ROOF CAP

QTY	MARK	CATALOG NUMBER (see above)	FAN INFORMATION			MOTOR INFORMATION					ACCESSORIES								
			CFM	SP	RPM	HP	VOLTS	HZ	PH	TYPE									

MOTOR TYPE: **EC** (ELECTRONICALLY COMMUTATED)

GM026R00