

DATE: _____
 PROJECT: _____
 LOCATION: _____

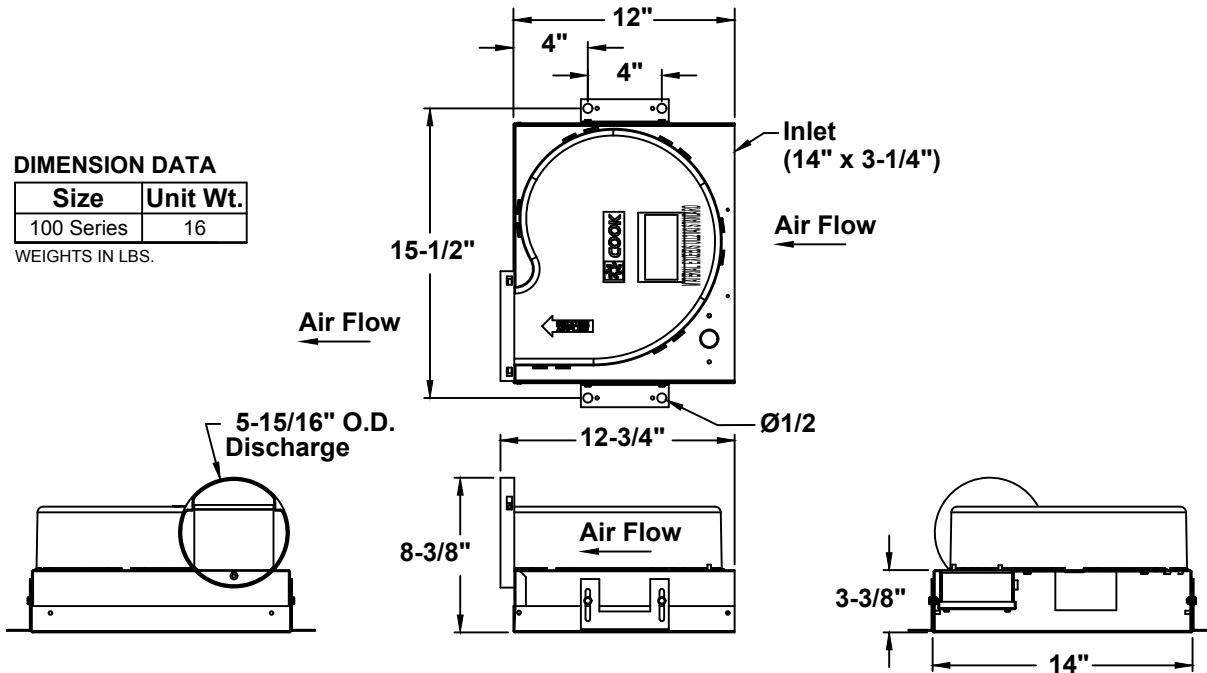


Inline Fans
100 Series
Vari-Flow®

DIMENSION DATA

Size	Unit Wt.
100 Series	16

WEIGHTS IN LBS.



CATALOG NUMBER DEFINITION:

GNVF - 100

└─ Fan Size
 └─ Model: GN = Gemini (Inline)
 VF = VariFlow® (EC Motor)

STANDARD CONSTRUCTION FEATURES:

Forward curved injection molded polypropylene fan wheel - Injection molded flame resistant fan housing with round outlet duct - 22 ga. galvanized steel inlet box - Permanently lubricated electronically commutated variable speed motor with built-in electronic overload protection and disconnect plug - Isolation mounted motor, mounted to one piece galvanized stamped steel integral motor mount/inlet - Field wiring compartment with receptacle - Adjustable prepunched mounting bracket - Shipped in ISTA certified tested packaging.

ACCESSORIES

1. FAN SPEED CONTROL (2 Speed)
2. ROOF JACK
3. ROOF CAP
4. ROUND WALL CAP W/BACKDRAFT DAMPER
5. EAVE ELBOW
6. STEEL GRILLE
7. DELUXE ALUMINUM GRILLE
8. BRICK VENT
9. CEILING RADIATION DAMPER
10. GEMINI HANGING ISOLATOR KIT
11. CEILING TO INLINE CONVERSION KIT
12. ALUMINUM BACKDRAFT DAMPER
13. 277 VOLT TRANSFORMER
14. ROOF CURB
15. UNIVERSAL CONTROLLER
16. AIR BALANCE KIT
17. PRESSURE CONTROLLER
18. FAN SPEED CONTROL (Remote)

QTY	MARK	CATALOG NUMBER	FAN INFORMATION			MOTOR INFORMATION					ACCESSORIES	
			CFM	SP	RPM	HP	VOLTS	HZ	PH	TYPE		

MOTOR TYPE: EC (ELECTRONICALLY COMMUTATED)

GM028R00