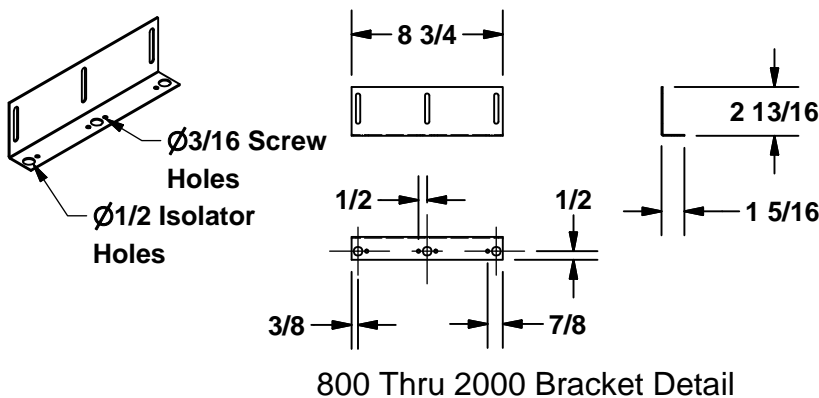
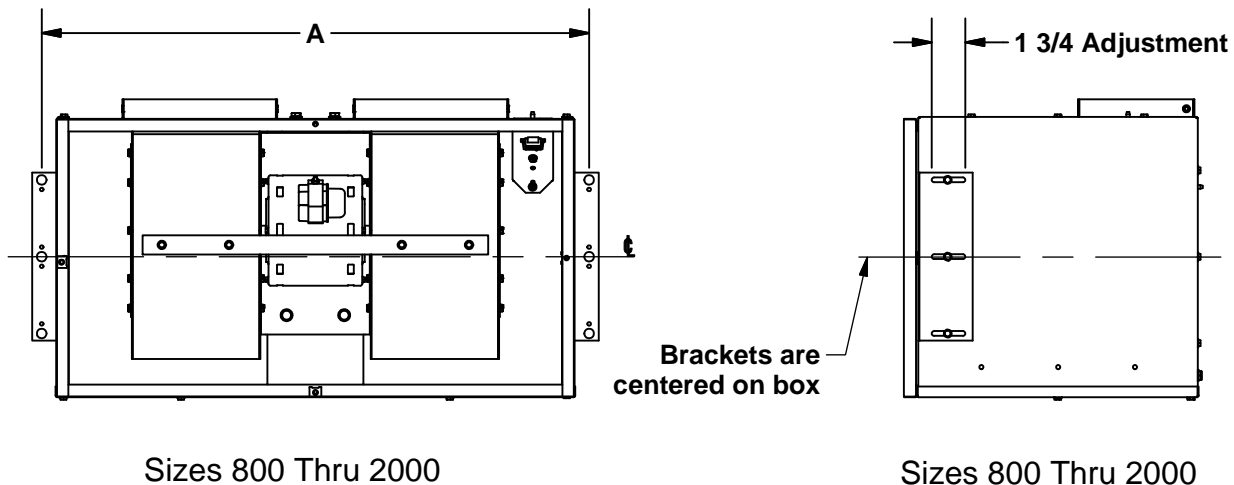
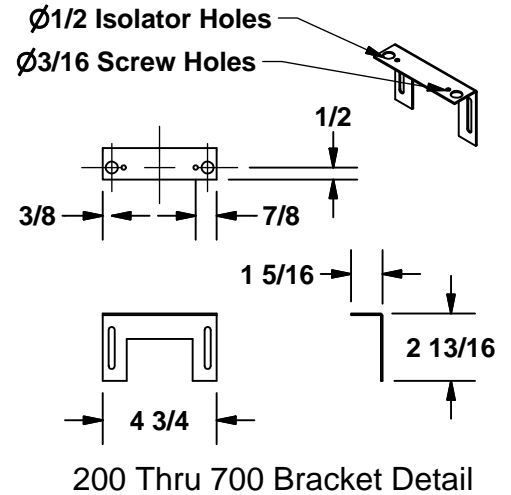
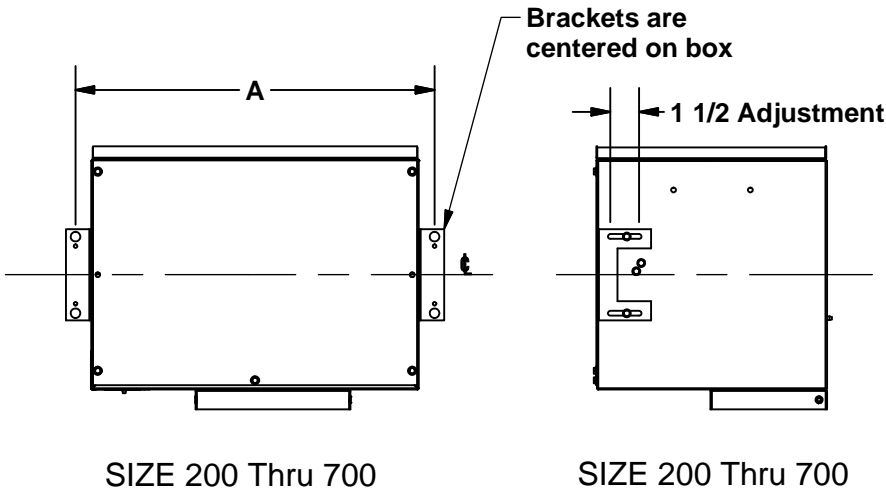


DATE: _____

PROJECT: _____

LOCATION: _____

Accessory Data Sheet
Mounting Bracket Dimensions
200 thru 2000 Series



DIMENSION DATA

Series	A
200 & 300	14
400 thru 700	18 5/8
700 (Vari-Flow Only)	22 5/8
800	28 5/8
900	32 5/8
1000	39 3/4
2000	47 1/16

PLEASE REFERENCE THIS DRAWING ON THE ORDER BY THIS NUMBER: GM033R00