



DATE: _____

Accessory Data Sheet

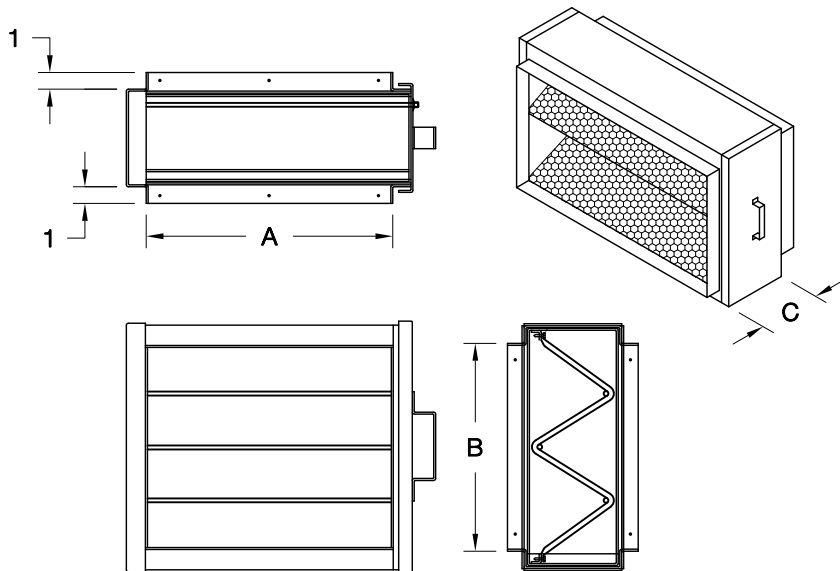
PROJECT: _____

FILTER BOX

DIMENSION DATA

Filter Unit	A	B	C	Ship Wt.
GFB-200	12-1/16	9-7/16	5	10
GFB-300	12-1/16	10-7/16	5	11
GFB-400 thru GFB-700	16-11/16	11-11/16	6	14
GFB-800	26-3/4	14-1/4	6	19
GFB-900	30-3/4	14-1/4	6	21
GFB-1000	37-11/16	14-1/4	6	26
GFB-2000	45-3/16	15-7/8	6	32

ALL DIMENSIONS IN INCHES.

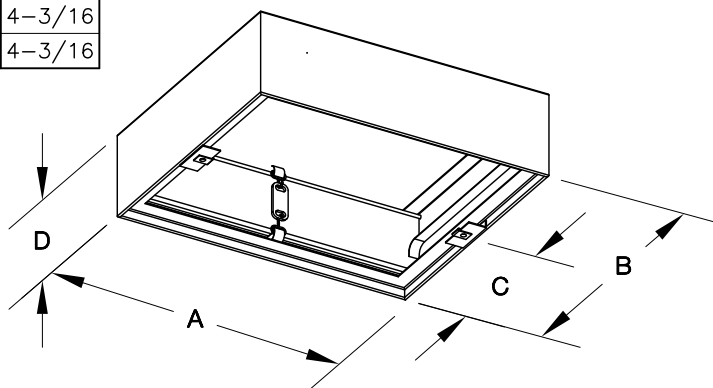


CEILING RADIATION DAMPERS

DIMENSION DATA

Model No.	Gemini Fan Model	A	B	C	D
CRD1	120-180	14-1/2	12-3/8	6-3/16	4-3/16
CRD2	220-240	12-5/8	10-1/8	5-1/16	4-3/16
CRD3	320-340	12-5/8	11-1/8	5-9/16	4-3/16
CRD4	420-740	17-5/8	12-1/4	6-1/8	4-3/16

ALL DIMENSIONS IN INCHES. WEIGHTS IN LBS.



Loren Cook Company's curtain style ceiling radiation dampers are classified by UL to function as heat barriers in air handling penetrations through fire resistive membrane ceiling assemblies.

Meets NFPA 90A requirements.
Meets BOCA, SBCCA, UBC requirements.
The City of New York 460-88-5A
California State Fire Marshall 3225-0935:102