



# COOK

# GEMINI

DATE: \_\_\_\_\_

PROJECT: \_\_\_\_\_

LOCATION: \_\_\_\_\_

Accessory Data Sheet

Unit Filter

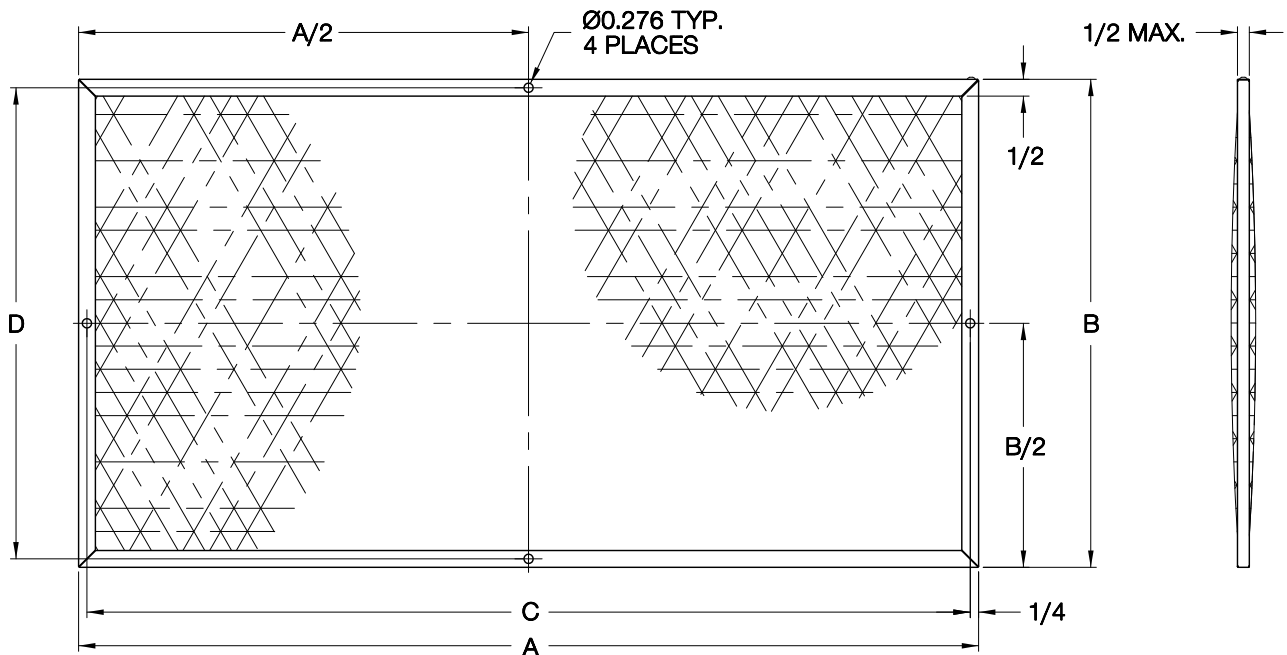
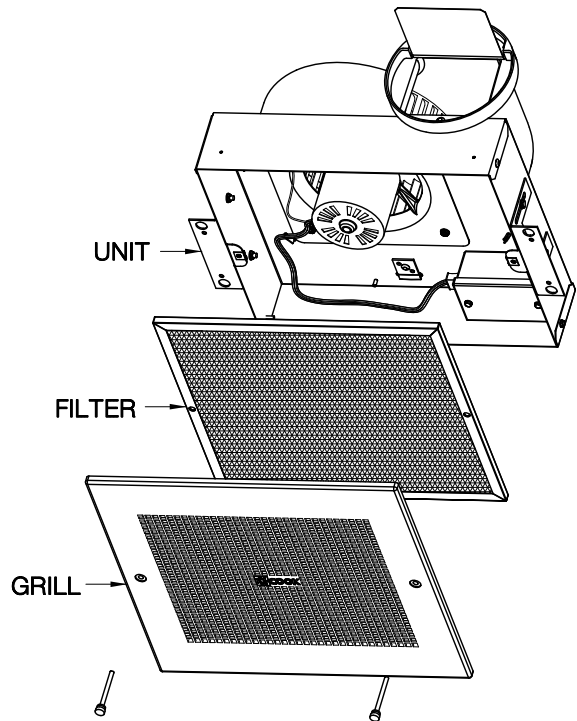
### DIMENSION DATA

Size	A	B	C	D	Ship Wt.
100	13-1/2	12	13	-	1
200	12-1/4	9-3/4	11-3/4	-	1
300	12-1/4	10-3/4	11-3/4	-	1
400-700	16-7/8	11-7/8	16-3/8	-	1
800	26-3/4	14-1/2	26-1/4	14	2
900	30-3/4	14-1/2	30-1/4	14	2
1000	37-13/16	15	37-5/16	14-1/2	2
2000	45-1/4	16-1/4	44-3/4	15-3/4	3

ALL DIMENSIONS IN INCHES. WEIGHTS IN LBS.

### STANDARD CONSTRUCTION FEATURES:

All aluminum frame – Washable aluminum media.



GM107R00