



COOK

GEMINI

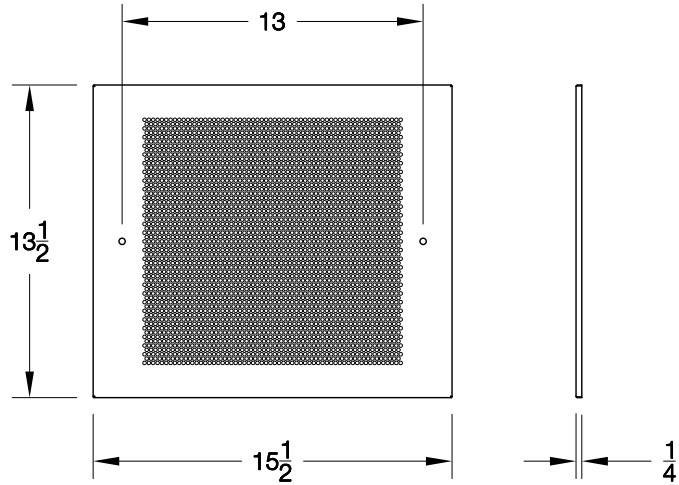
DATE: _____

Gemini 100 Grill Options

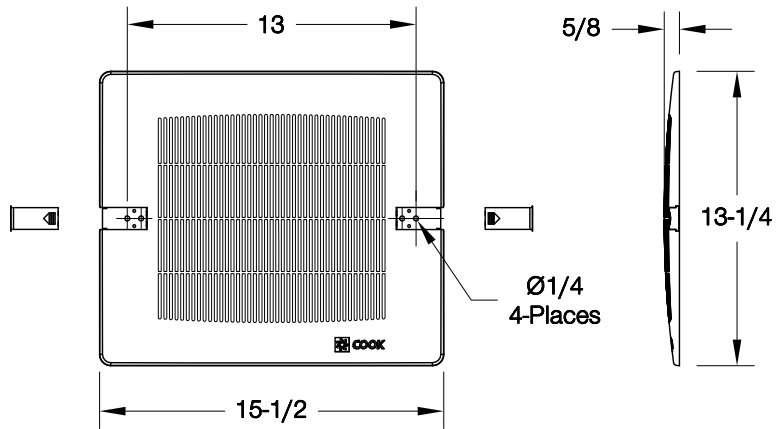
PROJECT: _____

LOCATION: _____

STEEL



PLASTIC



ALUMINUM

