

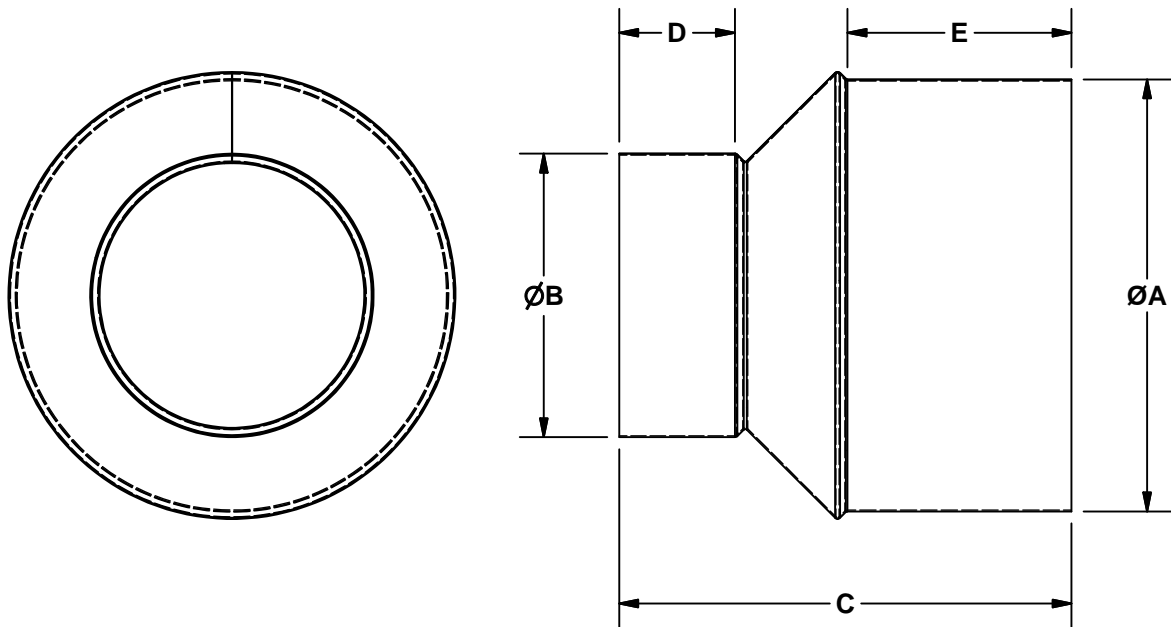
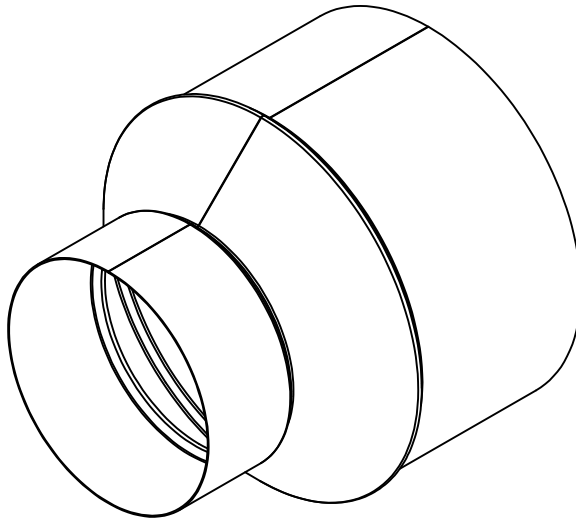


COOK

GEMINI

DATE: _____
 PROJECT: _____
 LOCATION: _____

Accessory Data Sheet
 6x4 Galvanized Duct Adapter



DIMENSION DATA

Size	A	B	C	D	E	Weight
6x4	6	3 9/16	6 1/4	1 5/8	3 1/8	1

ALL DIMENSIONS IN INCHES. WEIGHTS IN LBS.