



# COOK

# HLC-B

DATE: \_\_\_\_\_

PROJECT: \_\_\_\_\_

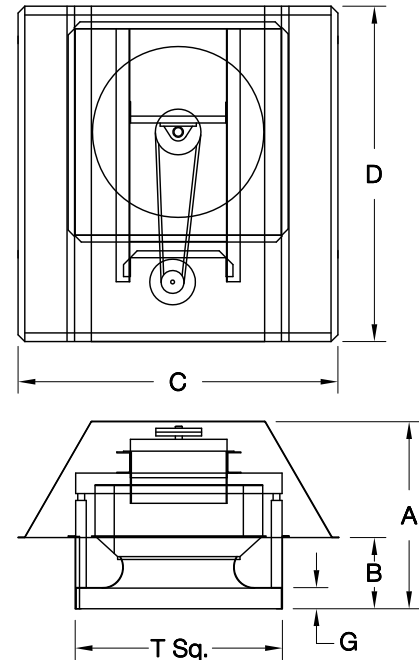
LOCATION: \_\_\_\_\_



## Hooded Low-Contour Downblast Centrifugal Exhaust Ventilator Roof Mounted/Belt Drive

### DIMENSION DATA

Size	A	B	C	D	G	T Sq.	Ship Wt.	Roof Opening Sq.*
100	17-1/2	5-1/4	31-1/4	34-1/8	2	18	70	13-1/2
120	19-5/8	5-7/8	34-3/4	35-1/8	2	20	170	15-1/2
135	19-7/8	5-7/8	34-3/4	35-1/8	2	20	170	15-1/2
150	21-1/4	7-3/8	40-1/8	42-1/8	2	24	195	19-1/2
165	21-3/8	7-3/8	40-1/8	42-1/8	2	24	195	19-1/2
180	26-1/4	8-1/4	43-7/8	47-1/8	3	30	225	25-1/2
195	27	9-1/4	43-7/8	47-1/8	3	30	225	25-1/2
210	28-1/4	9-1/4	46-5/8	49-1/8	3	30	260	25-1/2
225	29	10	46-5/8	49-1/8	3	30	265	25-1/2
245	29-5/8	10-5/8	46-5/8	49-1/8	3	30	275	25-1/2
270	32-1/4	11	58-1/8	58-1/8	3	36	365	31-1/2
300	33-3/8	12-1/8	58-1/8	58-1/8	3	36	375	31-1/2
330	35-3/8	13-1/8	65	65	3	42	435	37-1/2
365	36-1/4	14	65	65	3	42	450	37-1/2
402	43-1/2	14-1/4	82-7/8	78-1/8	3	48	540	43-1/2
445	44-3/4	16-1/2	82-7/8	78-1/8	3	54	600	49-1/2
490	46-1/4	18	82-7/8	78-1/8	3	54	625	49-1/2
540	45-7/8	13-5/8	96	98	3	66	750	61-1/2



ALL DIMENSIONS IN INCHES. WEIGHTS IN LBS., LESS MOTOR.  
\* ROOF OPENING SIZE FOR CURBS SUPPLIED BY COOK ONLY.

### STANDARD CONSTRUCTION FEATURES:

All aluminum housing - Backward inclined all aluminum wheel - Welded curb cap corners - Hinged access hood (sizes 100-245) - Removable access hood (sizes 270-540) - Birdscreen - Vibration isolators - Permanently lubricated ball bearing motors - Static resistant belts - Adjustable pitch drives through 5 hp motor - Corrosion resistant fasteners - Regreasable bearings in cast housing rated at 200,000 hours average life - All fans factory adjusted to specified fan RPM.

### ACCESSORIES

1. DISCONNECT SWITCH
2. GRAVITY BACKDRAFT DAMPER
3. MOTORIZED BACKDRAFT DAMPER
4. RCG GALVANIZED CURB
5. RCA ALUMINUM CURB
6. EPOXY COATING
7. ANTI-CONDENSATE COATING
8. LESS BIRDSCREEN
9. SPECIAL

QTY	MARK	CATALOG NUMBER	FAN INFORMATION			MOTOR INFORMATION					ACCESSORIES	
			CFM	SP	RPM	HP	VOLTS	HZ	PH	TYPE		

LARGEST MOTOR SHIPPED MOUNTED: ODP (OPEN DRIP-PROOF) 5 HP; 2 SP (2 SPEED) 2 HP; X-PRF (EXPLOSION PROOF) 2 HP; TEFC (TOTALLY ENCLOSED FAN COOLED) 2 HP.

LC001R01