

DATE: _____
 PROJECT: _____
 LOCATION: _____



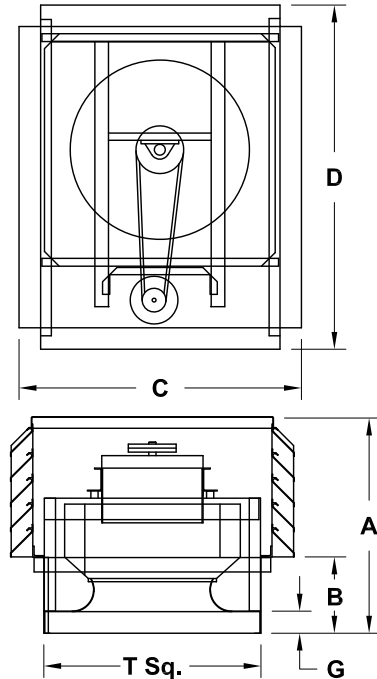
**Tiered Low-Contour Downblast
 Centrifugal Exhaust Ventilator
 Roof Mounted/Belt Drive**



DIMENSION DATA

Size	A	B	C	D	G	T Sq.	Ship Wt.	Roof Opening Sq.
100	17-7/8	5-1/4	27-1/2	36-1/4	2	18	77	13-1/2
120	22-1/2	5-7/8	29-1/2	37-1/4	2	20	175	15-1/2
135	22-3/4	5-7/8	29-1/2	37-1/4	2	20	175	15-1/2
150	23-7/8	7-3/8	33-1/2	42-1/4	2	24	205	19-1/2
165	24	7-3/8	33-1/2	42-1/4	2	24	205	19-1/2
180	28-3/8	8-1/4	39-5/8	51-1/2	3	30	245	25-1/2
195	29-1/8	9-1/4	39-5/8	51-1/2	3	30	245	25-1/2
210	29-3/8	9-1/4	39-5/8	51-1/2	3	30	280	25-1/2
225	30-1/8	10	39-5/8	51-1/2	3	30	285	25-1/2
245	30-3/4	10-5/8	39-5/8	51-1/2	3	30	290	25-1/2
270	34-5/8	11	45-7/8	60-1/4	3	36	385	31-1/2
300	35-3/4	12-1/8	45-7/8	60-1/4	3	36	405	31-1/2
330	40-1/4	13-1/8	53	66-1/4	3	42	475	37-1/2
365	41-1/8	14	53	66-1/4	3	42	485	37-1/2
402	48-3/8	14-1/4	59	73-1/4	3	48	565	43-1/2
445	49-5/8	16-1/2	65	79-1/4	3	54	635	49-1/2
490	51-1/8	18	65	79-1/4	3	54	665	49-1/2
540	49-3/4	13-5/8	77	91-1/4	3	66	790	61-1/2

ALL DIMENSIONS IN INCHES. WEIGHTS IN LBS., LESS MOTOR.
 * ROOF OPENING SIZE FOR CURBS SUPPLIED BY COOK ONLY.



STANDARD CONSTRUCTION FEATURES:

All aluminum housing - Extruded aluminum tiers - Backward inclined all aluminum wheel - Welded curb cap corners - Removable top cap - Birdscreen - Vibration isolators - Permanently lubricated ball bearing motors - Static resistant belts - Adjustable pitch drives through 5 hp motor - Corrosion resistant fasteners - Regreasable bearings in cast housing rated at 200,000 hours average life - All fans factory adjusted to specified fan RPM.

ACCESSORIES

1. DISCONNECT SWITCH
2. GRAVITY BACKDRAFT DAMPER
3. MOTORIZED BACKDRAFT DAMPER
4. RCG GALVANIZED CURB
5. RCA ALUMINUM CURB
6. EPOXY COATING
7. ANTI-CONDENSATE COATING
8. LESS BIRDSCREEN
9. SPECIAL

QTY	MARK	CATALOG NUMBER	FAN INFORMATION			MOTOR INFORMATION					ACCESSORIES	
			CFM	SP	RPM	HP	VOLTS	HZ	PH	TYPE		

**LARGEST MOTOR SHIPPED MOUNTED: ODP (OPEN DRIP-PROOF) 5 HP; 2 SP (2 SPEED) 2 HP;
 X-PRF (EXPLOSION PROOF) 2 HP; TEFC (TOTALLY ENCLOSED FAN COOLED) 2 HP.**