



# COOK

# TLC-D

DATE: \_\_\_\_\_

PROJECT: \_\_\_\_\_

LOCATION: \_\_\_\_\_



## Tiered Low-Contour Downblast Centrifugal Exhaust Ventilator Roof Mounted/Direct Drive

### DIMENSION DATA

Size	A	B	C	D	G	T Sq.	Ship Wt.	Roof Opening Sq.*
70	16-7/8	4-1/4	27-1/2	36-1/4	2	18	75	13-1/2
90	17-3/8	4-3/4	27-1/2	36-1/4	2	18	80	13-1/2
100	17-3/8	4-3/4	27-1/2	36-1/4	2	18	80	13-1/2
120	22-1/2	5-7/8	29-1/2	37-1/4	2	20	170	15-1/2
135	22-3/4	6-1/8	29-1/2	37-1/4	2	20	170	15-1/2
150	23-7/8	7-1/4	33-1/2	42-1/4	2	24	200	19-1/2
165	24	7-3/8	33-1/2	42-1/4	2	24	200	19-1/2
180	28-3/8	8-1/4	39-5/8	51-1/2	3	30	240	25-1/2

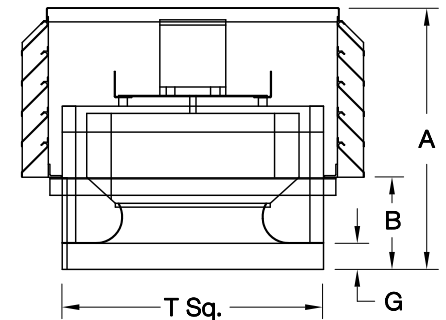
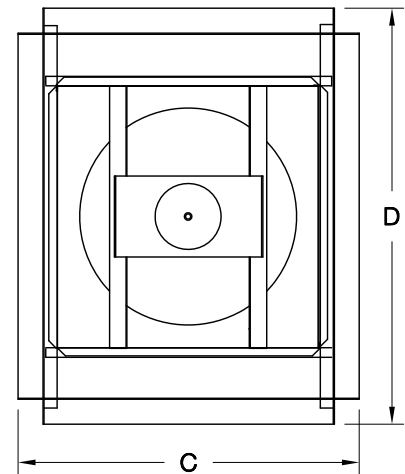
ALL DIMENSIONS IN INCHES. WEIGHTS IN LBS.  
 \* ROOF OPENING SIZE FOR CURBS SUPPLIED BY COOK ONLY.

### STANDARD CONSTRUCTION FEATURES:

All aluminum housing – Extruded aluminum tiers – Backward inclined all aluminum wheel – Welded curb cap corners – Removable top cap – Birdscreen – Vibration isolators – Permanently lubricated ball bearing motors – Corrosion resistant fasteners.

### ACCESSORIES

1. DISCONNECT SWITCH
2. FAN SPEED CONTROL
3. GRAVITY BACKDRAFT DAMPER
4. MOTORIZED BACKDRAFT DAMPER
5. RCG GALVANIZED CURB
6. RCA ALUMINUM CURB
7. EPOXY COATING
8. ANTI-CONDENSATE COATING
9. LESS BIRDSCREEN
10. SPECIAL



QTY	MARK	CATALOG NUMBER	FAN INFORMATION			MOTOR INFORMATION					ACCESSORIES							
			CFM	SP	RPM	HP	VOLTS	HZ	PH	TYPE								

MOTOR TYPE: ODP (OPEN DRIP-PROOF); 2 SP (2 SPEED); X-PRF (EXPLOSION PROOF); TEFC (TOTALLY ENCLOSED FAN COOLED).

LC004R01