

DATE: _____

PROJECT: _____

LOCATION: _____



**Low Profile Centrifugal
Exhaust Ventilator
Roof Mounted/Belt Drive**

DIMENSION DATA

Size	A	B	C	D ID	E ID	F	G	H	I	J	T Sq.	Ship Wt.	Roof Opening Sq.*
100	22-1/16	29-7/8	13-7/8	6-11/16	6-25/32	52-3/16	2	1-1/32	8-19/32	1-9/32	20	110	15-1/2
120	25-11/16	32-3/8	15-3/8	8	8-5/32	58-13/16	2	27/32	7-29/32	15/32	24	130	19-1/2
135	28-7/16	34-1/2	16-3/8	9	9-3/16	64-1/8	2	2-7/32	8-15/16	1-9/16	24	146	19-1/2
150	31-1/8	36-11/16	17-3/8	10	10-7/32	69-3/8	2	3-9/16	9-15/16	2-3/4	24	162	19-1/2
165	33-13/16	39	18-3/8	11	11-7/32	74-11/16	2	4-29/32	10-15/16	4-1/16	24	183	19-1/2
180	36-1/2	40-13/16	20-3/8	12	12-1/4	79-9/16	2	3-1/4	8-7/8	1-15/16	30	224	25-1/2
195	39-1/4	49	21-3/8	13	13-1/4	90-3/4	2	4-5/8	16-3/16	2-13/16	30	276	25-1/2
210	42	50-15/16	23-3/8	14	14-9/32	95-3/4	3	6	17-1/4	3-11/16	30	302	25-1/2
225	44-5/8	52-11/16	25-1/4	15	15-5/16	100-9/16	3	7-5/16	18-5/32	4-17/32	30	378	25-1/2
245	48-5/16	55-3/16	26-1/2	16	16-1/4	105-15/16	3	8-5/32	16-17/32	2-21/32	36	475	31-1/2
270	52-13/16	58-1/4	28	17-15/16	17-31/32	115-3/16	3	8-13/32	18-5/32	4-3/32	36	530	31-1/2
300	58-3/16	63-1/8	31-1/4	19-27/32	19-11/16	125-3/16	3	8-3/32	18-11/32	2-25/32	42	740	37-1/2
330	63-5/8	66-11/16	32-1/4	21-3/4	21-13/32	132-7/8	3	10-13/16	20-9/32	4-13/32	42	810	37-1/2
365	69-15/16	71-1/16	34-1/4	24	23-7/16	143-3/8	3	10-31/32	19-5/8	3-7/16	48	1040	43-1/2
402	76-3/4	75-11/16	36-3/8	26-13/32	25-9/16	154-3/8	3	14-3/8	22-5/32	5-17/32	48	1187	43-1/2
445	84-7/16	83-5/8	40	29-1/8	28	169-5/8	3	12-7/32	21-23/32	1-29/32	60	1455	55-1/2
490	92-9/16	91-1/4	42-1/2	32	30-9/16	184-15/16	3	16-9/32	26-13/16	4-7/16	60	1675	55-1/2
540	101-9/16	97-3/8	52-1/2	29-13/16	39-1/2	217-7/8	3	17-25/32	27-1/8	4-1/4	66	2205	61-1/2

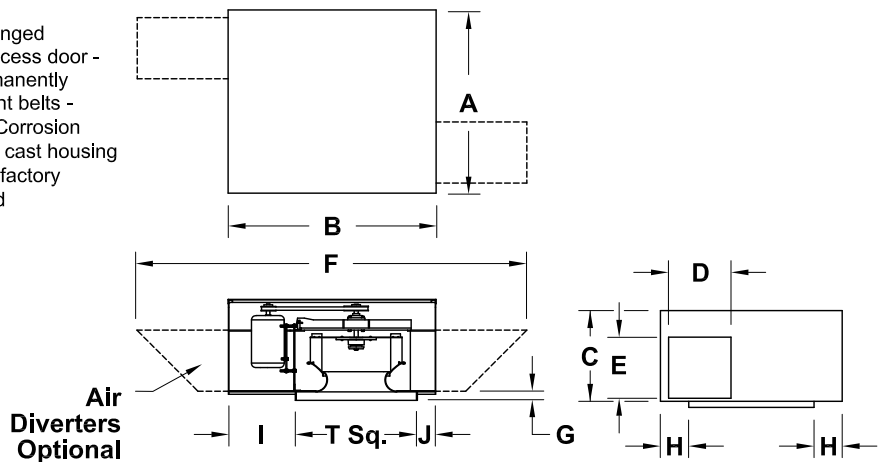
ALL DIMENSIONS IN INCHES. WEIGHTS IN LBS., LESS MOTOR.
* ROOF OPENING SIZE FOR CURBS SUPPLIED BY COOK ONLY.

STANDARD CONSTRUCTION FEATURES:

Ventilator housing of heavy gauge galvanized steel - Hinged access hood (sizes 100-300) - Removable access hood (sizes 330-540) - Hinged wheel (sizes 100-300) - Removable wheel access door - Backward inclined all aluminum wheel - Permanently lubricated ball bearing motors - Static resistant belts - Adjustable pitch drives through 5 hp motor - Corrosion resistant fasteners - Regreasable bearings in cast housing rated at 200,000 hours average life - All fans factory adjusted to specified fan RPM - Transit tested packaging.

ACCESSORIES

1. DISCONNECT SWITCH
2. GRAVITY BACKDRAFT DAMPER
3. MOTORIZED BACKDRAFT DAMPER
4. RCG GALVANIZED CURB
5. VE VENTED EXTENSION
6. RCA ALUMINUM CURB
7. DIVERTERS
8. GREASE TERMINATOR
9. UL762
10. SPECIAL



QTY	MARK	CATALOG NUMBER	FAN INFORMATION			MOTOR INFORMATION					ACCESSORIES		
			CFM	SP	RPM	HP	VOLTS	HZ	PH	TYPE			

LARGEST MOTOR SHIPPED MOUNTED: ODP (OPEN DRIP-PROOF) 5 HP; 2 SP (2 SPEED) 2 HP; X-PRF (EXPLOSION PROOF) 2 HP; TEFC (TOTALLY ENCLOSED FAN COOLED) 2 HP.