



# COOK

# PLC

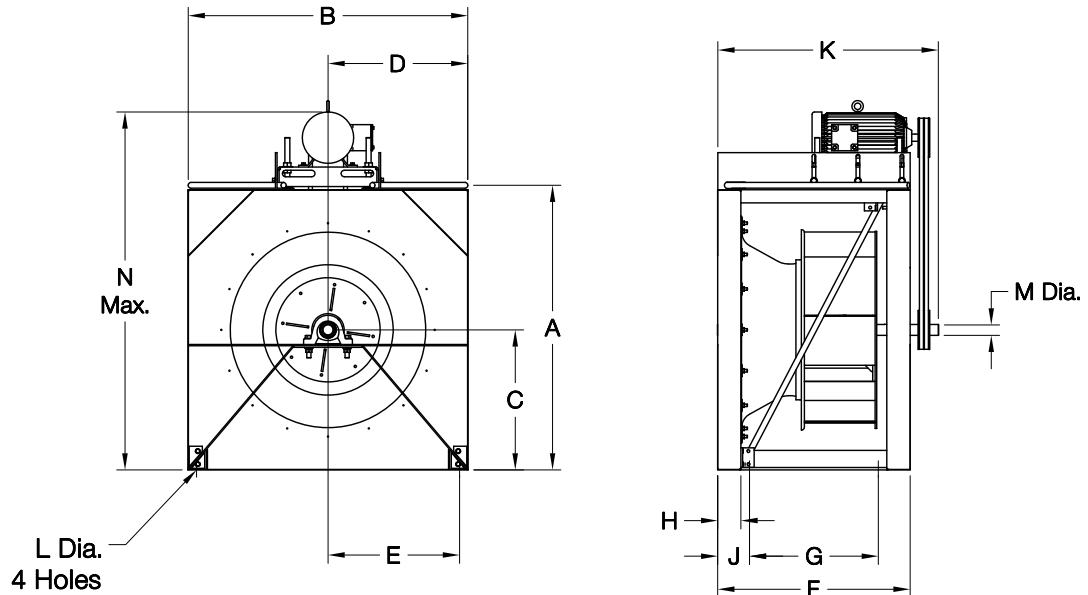
DATE: \_\_\_\_\_

PROJECT: \_\_\_\_\_

LOCATION: \_\_\_\_\_



**Centrifugal Plenum Fan**  
**Top Mount**  
**Arrangement 3T**  
**Class I**



**DIMENSION DATA**

Size	A	B	C	D	E	F	G	H	J	K	L	M	N	Ship Wts.
270	38-3/4	38-3/4	19-3/8	19-3/8	18-1/16	27-7/16	17-5/16	3-9/16	5-1/16	31-11/16	5/8	1-7/16	56-11/16	450
300	43	43	21-1/2	21-1/2	20-3/16	29-1/2	19-3/8	3-9/16	5-1/16	33-7/8	5/8	1-11/16	61-5/8	556
330	49-1/2	46	23-5/8	23	22-1/4	33-3/16	27-3/8	3-9/16	4-11/16	37-13/16	15/16	1-15/16	69-5/16	644
365	53-1/2	49	26-1/8	24-1/2	23-3/4	35-5/8	29-13/16	3-9/16	4-11/16	40-3/8	15/16	1-15/16	73-3/4	703
402	60	54	28-3/4	27	26-1/8	40-7/16	33-5/8	4-9/16	5-11/16	45-7/16	15/16	2-7/16	81-15/16	990
445	64	58-1/2	31-7/8	29-1/4	28-3/8	44	36-5/8	5-1/8	6-1/4	49-1/8	15/16	2-7/16	88-3/16	1290
490	70	63	35	31-1/2	30-1/2	49-1/4	41-7/8	5-1/8	6-1/4	54-5/8	1-1/16	2-7/16	94-13/16	1503
540	75	69	38-5/8	34-1/2	33-1/2	52-7/8	45-1/2	5-1/8	6-1/4	58-1/2	1-1/16	2-7/16	101	1666
600	82	75	42-7/8	37-1/2	36-1/2	58-1/4	49-7/8	6-1/8	7-1/4	64-1/4	1-1/16	2-11/16	110-7/8	2083
660	90	82	47-1/4	41	39-11/16	63-11/16	54-5/16	7-1/8	8-1/4	70-5/16	1-1/16	2-15/16	120-9/16	2673
730	92	92	52-1/4	46	44-11/16	69-3/4	59-3/8	8-1/8	9-1/4	77	1-1/16	3-7/16	126-1/4	3227

ALL DIMENSIONS IN INCHES. WEIGHTS IN LBS., LESS MOTOR AND SLIDE BASE.