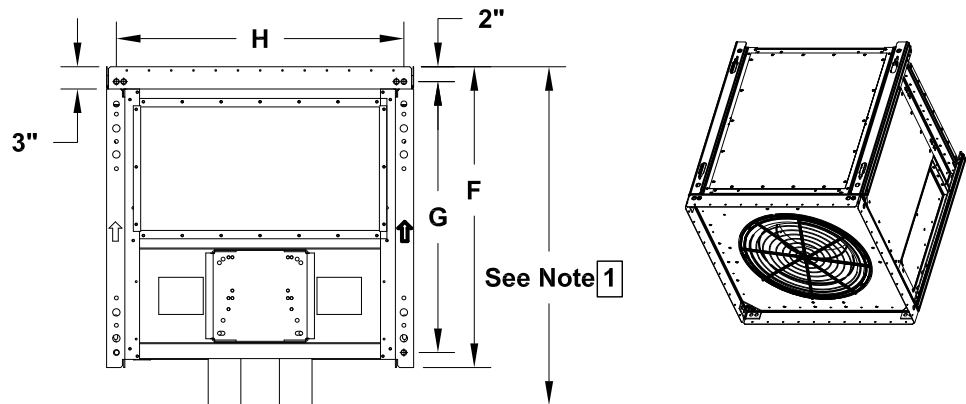
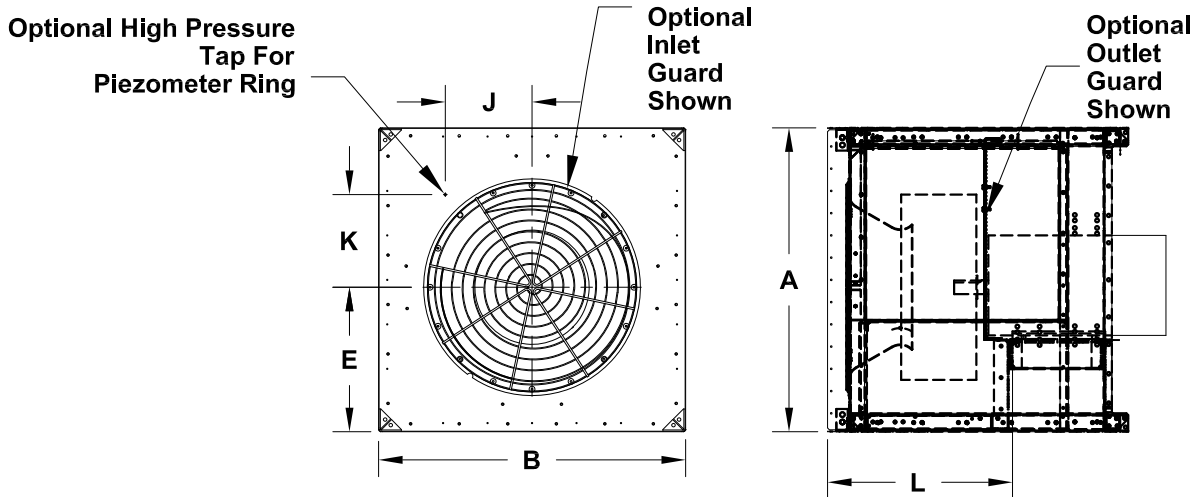


DATE: _____
 PROJECT: _____
 LOCATION: _____



**Modular Plenum Array
 Centrifugal Plenum Fan
 Direct Drive
 Arrangement 4**



DIMENSION DATA

| Size | A | B | E | F | G | H | J | K | L | Max HP | Motor Frame | Unit Wt. |
|------|----------|----------|----------|----------|----------|----------|---------|--------|----------|--------|-------------|----------|
| 100 | 18-13/16 | 20 | 9-1/2 | 24-9/16 | 20-1/2 | 17-3/8 | 6 | 5-1/2 | 14-1/2 | 5 | 56-184T | 136 |
| 120 | 20-7/8 | 22-11/16 | 10-3/4 | 25-13/16 | 21-13/16 | 20 | 7-3/8 | 7-1/8 | 15-7/8 | 5 | 56-184T | 155 |
| 135 | 22-3/8 | 24-1/2 | 11-5/8 | 28-1/16 | 24-1/16 | 21-7/8 | 8-3/8 | 7-1/8 | 18-1/16 | 7.5 | 143T-213T | 182 |
| 150 | 24-3/16 | 26-3/4 | 12-11/16 | 30-5/8 | 26-5/8 | 21-1/8 | 7-13/16 | 8 | 19-1/16 | 10 | 143T-215T | 219 |
| 165 | 25-3/4 | 29 | 13-3/4 | 35-1/8 | 31-1/4 | 26-11/16 | 9-1/2 | 8 | 21-3/16 | 15 | 143T-254T | 271 |
| 180 | 30 | 30-7/16 | 14 | 36-3/4 | 32-3/4 | 27-3/4 | 9-1/2 | 8-3/4 | 21-13/16 | 20 | 143T-256T | 298 |
| 195 | 34 | 33-3/4 | 16 | 37-7/8 | 33-13/16 | 31-1/8 | 11-7/8 | 12 | 23-7/16 | 20 | 182T-284T | 348 |
| 225 | 37-1/8 | 37-7/16 | 17-9/16 | 39-3/16 | 35-3/16 | 34-3/4 | 10-3/4 | 11 | 25-1/16 | 30 | 182T-284T | 398 |
| 245 | 41 | 41-7/16 | 19-1/2 | 40-9/16 | 36-9/16 | 38-3/4 | 11-3/4 | 12-1/2 | 26-7/16 | 25 | 182T-284T | 463 |

ALL DIMENSIONS IN INCHES. WEIGHTS IN LBS., LESS MOTOR., INCLUDES ACOUSTICAL PANELS

STANDARD CONSTRUCTION FEATURES:

Backward Inclined Aluminum Airfoil Wheel - 6061-T6 extruded aluminum blades.
 Heavy gauge galvanized steel frame, and front panel. - Integral Lifting Points
 Rectangular Framed Duct Connection - Mounting Holes for Stacking and Connecting Multiple Units

ACCESSORIES

- GRAVITY INTAKE DAMPER
- PIEZOMETRIC PORTS

NOTE:

- OVERALL LENGTH WILL VARY BASED ON MOTOR TYPE, SIZE AND MANUFACTURER