



# COOK

# VCR/VCR-HP/VCR-XP

DATE: \_\_\_\_\_

PROJECT: \_\_\_\_\_

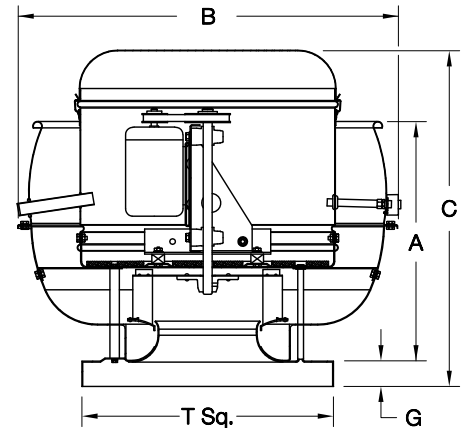
LOCATION: \_\_\_\_\_



**Uplast Centrifugal  
Exhaust Ventilator  
Roof Mounted/Belt Drive  
Seismic Rated**

**DIMENSION DATA**

Size	A	B	C			G	T Sq.	Ship Wt.	Roof Opening Sq.*
			VCR	VCR-HP	VCR-XP				
100	12-1/2	25-1/4	20-3/16	-	-	2	18	30	13-1/2
120	19-1/16	30-3/16	28-1/4	-	-	2	20	61	15-1/2
135	19-1/16	30-3/16	28-5/8	-	-	2	20	66	15-1/2
150	20-15/16	34-11/16	30-1/4	27-1/2	-	2	24	77	19-1/2
165	20-15/16	34-11/16	30-3/4	27-3/4	26-11/16	2	24	83	19-1/2
180	24-13/16	39-7/16	35-7/8	33-3/8	31-9/16	3	30	100	25-1/2
195	24-13/16	39-7/16	36-3/8	33-1/2	32-1/8	3	30	110	25-1/2
210	25-15/16	45-1/4	38-3/8	35-3/8	32-3/4	3	30	220	25-1/2
225	25-15/16	45-1/4	38-1/8	35-1/2	33-5/16	3	30	242	25-1/2
245	28-1/2	49-1/4	41-1/16	37-5/16	34-1/16	3	30	264	25-1/2
270	28-1/2	49-1/4	41-1/16	37-5/16	35	3	36	286	31-1/2
300	33-7/8	54-1/4	49-15/16	45-15/16	41-7/16	3	36	336	31-1/2
330	34-1/8	54-1/4	50-7/16	46-11/16	43-1/8	3	42	374	37-1/2
365	36-3/8	64-1/4	52-7/16	48-7/16	44-1/4	3	42	420	37-1/2
402	37-7/8	64-1/4	54-11/16	-	-	3	48	484	43-1/2
445	42-7/8	76-1/4	57-3/16	-	-	3	54	556	49-1/2
490	44-5/8	76-1/4	58-1/16	-	-	3	54	715	49-1/2



**OSHPD: OSP-0033-10  
SHAKE TABLE TESTED  
TO ICC-ES AC156**

ALL DIMENSIONS IN INCHES. WEIGHTS IN LBS., LESS MOTOR.  
\* ROOF OPENING SIZE FOR CURBS SUPPLIED BY COOK ONLY.

**STANDARD CONSTRUCTION FEATURES:**

All aluminum housing – Backward inclined all aluminum wheel – Two piece top cap with stainless steel quick release latches – One piece bottom spinning – Welded curb cap corners – Lifting lugs – Permanently lubricated ball bearing motors – Static resistant belts – Adjustable pitch drives through 5 hp motor – Corrosion resistant fasteners – Regreasable bearings in cast iron pillow block housing, rated at 200,000 hours average life – All fans factory adjusted to specified fan RPM – Transit tested packaging – Standard motors ship factory installed.

LISTED POWER VENTILATOR FOR RESTAURANT EXHAUST APPLICATIONS – 327Y.

MAXIMUM OPERATING TEMPERATURE 300°F (UL 762)

**ACCESSORIES**

1. DISCONNECT SWITCH
2. RCG GALVANIZED CURB
3. VE VENTED EXTENSION
4. HINGED BASE
5. GREASE TERMINATOR
6. GREASE TROUGH

QTY	MARK	CATALOG NUMBER	FAN INFORMATION			MOTOR INFORMATION					ACCESSORIES											
			CFM	SP	RPM	HP	VOLTS	HZ	PH	TYPE												

**MOTOR TYPE: ODP (OPEN DRIP-PROOF); 2 SP (2 SPEED); TEFC (TOTALLY ENCLOSED FAN COOLED); X-PRF (EXPLOSION PROOF).**