



# COOK VCRD/VCRD-HP/VCRD-XP VF

DATE: \_\_\_\_\_

PROJECT: \_\_\_\_\_

LOCATION: \_\_\_\_\_



**Upblast Centrifugal  
Exhaust Ventilator**

**Hurricane / Missile Impact Resistant**



**Roof Mounted/Direct Drive**

**Vari-Flow® Motor**

**DIMENSION DATA**

Size	A	B	C			D	G	T Sq.	Ship Wt.	Roof Opening Sq.
			VCRD	VCRD-HP	VCRD-XP					
100	12-1/2	25-1/4	21-15/16	-	-	16-1/2	2	18	30	13-1/2
120	19-1/16	30-3/16	28-1/4	-	-	20-1/8	2	20	61	15-1/2
135	19-1/16	30-3/16	28-5/8	-	-	20-1/8	2	20	66	15-1/2
150	20-15/16	34-11/16	30-1/4	27-1/2	-	23-9/16	2	24	77	19-1/2
165	20-15/16	34-11/16	30-3/4	27-3/4	26-11/16	23-9/16	2	24	83	19-1/2
180	24-13/16	39-7/16	35-7/8	33-3/8	31-9/16	25-7/8	3	30	100	25-1/2
195	24-13/16	39-7/16	-	33-1/2	32-1/8	25-7/8	3	30	110	25-1/2

ALL DIMENSIONS IN INCHES. WEIGHTS IN LBS.  
\* ROOF OPENING SIZE FOR CURBS SUPPLIED BY COOK ONLY.

LISTED POWER VENTILATOR FOR RESTAURANT EXHAUST APPLICATIONS - 327Y.

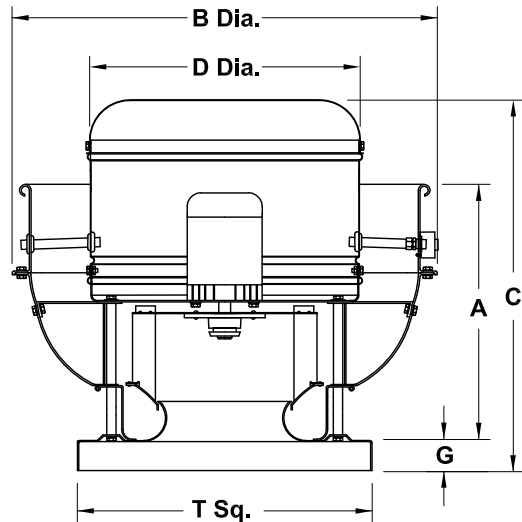
MAXIMUM OPERATING TEMPERATURE  
300°F (UL 762)

**MIAMI-DADE COUNTY, FLORIDA**  
**Notice of Acceptance (NOA) Number 17-0925.02/11-13-2023**  
 -TAS-201: Large Missile Impact Test  
 -TAS-202: Uniform Static Air Pressure Test  
 -TAS-203: Cyclic Wind Pressure Test

**STANDARD CONSTRUCTION FEATURES:**  
 All aluminum housing - Backward inclined all aluminum wheel -  
 Removable top cap - One piece bottom spinning - Welded curb cap corners -  
 Permanently lubricated ball bearing motors - Corrosion resistant fasteners  
 - Transit tested packaging

**ACCESSORIES**

1. DISCONNECT SWITCH
2. RCG GALVANIZED CURB
3. VE VENTED EXTENSION
4. HINGED BASE
5. GREASE TERMINATOR
6. GREASE TROUGH



QTY	MARK	CATALOG NUMBER	FAN INFORMATION			MOTOR INFORMATION					ACCESSORIES	
			CFM	SP	RPM	HP	VOLTS	HZ	PH	TYPE		

**MOTOR TYPE: ODP (OPEN DRIP-PROOF); 2 SP (2 SPEED); X-PRF (EXPLOSION PROOF); TEFC (TOTALLY ENCLOSED FAN COOLED).**

RE009R00