



# COOK

# KSP-D

DATE: \_\_\_\_\_

PROJECT: \_\_\_\_\_

LOCATION: \_\_\_\_\_



**Filtered Kitchen Supply  
Packaged Ventilator  
Direct Drive**

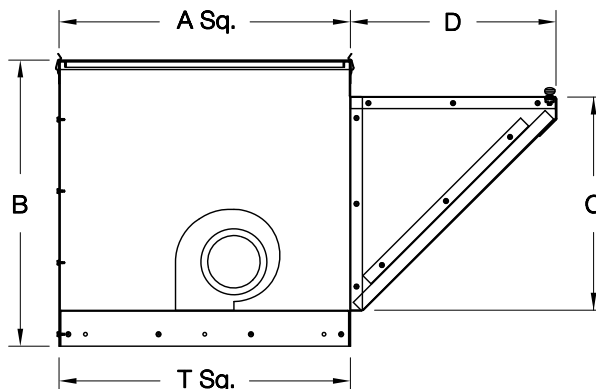
**DIMENSION DATA**

Model	A Sq.	B	C	D	T Sq.	Material Gauges		Ship Wt.	Roof Opening Sq.
						Base	Housing		
94-99KSPD	24-3/16	24	18 x 18-1/4	17-1/4	24-1/4	16	18	190	19-1/2
103-106KSPD	28-3/16	27	21 x 22-1/4	20-1/4	28-1/4	16	18	210	23-1/2
122-127KSPD	32-3/16	32-1/4	26-3/16 x 26-1/2	25-5/8	32-1/4	16	18	270	27-1/2

ALL DIMENSIONS IN INCHES. WEIGHTS IN LBS.  
\* ROOF OPENING SIZE FOR CURBS SUPPLIED BY COOK ONLY.

**STANDARD CONSTRUCTION FEATURES:**

Totally enclosed galvanized cabinet with hooded, filtered intake -  
Top cap quick release latches - Permanent, one inch, washable,  
aluminum filters (fiberglass or polyester media available).



**ACCESSORIES**

1. INTAKE EXTENSION
2. COMMON CURB
3. COMMON CURB CAP
4. DUCT ADAPTER
5. RCG GALVANIZED CURB
6. SPEED CONTROL
7. INTAKE DAMPER
8. SPECIAL

QTY	MARK	CATALOG NUMBER	FAN INFORMATION			MOTOR INFORMATION					ACCESSORIES							
			CFM	SP	RPM	HP	VOLTS	HZ	PH	TYPE								

MOTOR TYPE: ODP (OPEN DRIP-PROOF).