



COOK

KSP-B

DATE: _____
 PROJECT: _____
 LOCATION: _____



**Filtered Kitchen Supply
 Packaged Ventilator
 Belt Drive**

DIMENSION DATA

Model	A Sq.	B	C	D	E	F	G	T Sq.	H x W Bottom Discharge Opening
90KSPB	24-3/16	24	18 x 18-1/4	17-1/4	6-7/32	7	3	24-1/8	10-1/8 x 11-9/16
100KSPB	28-3/16	27	21 x 22-1/4	20-1/4	7-5/8	8-7/16	3	28-1/8	11-1/4 x 12-7/8
120KSPB	32-3/16	32-1/4	26-3/16 x 26-1/2	25-5/8	8-3/8	8-3/4	3	32-1/8	13-5/16 x 15-3/8
150KSPB	32-3/16	37-3/8	31-5/16 x 28-1/2	30-3/4	6-7/8	6-5/16	3	32-1/8	15-3/4 x 18-3/8
180KSPB	36-3/16	41-7/16	35-7/16 x 30-1/4	34-13/16	7-1/4	5-5/16	3	36-1/8	18-3/4 x 21-5/8
200KSPB	48-3/16	49-7/16	37-7/16 x 46	36-13/16	11-11/16	12-15/16	3	48-1/8	24-7/8 x 24-3/4

Model	Filters		Material Gauges		Roof Opening Sq.*	Ship Wt.
	Qty	Size	Base	Housing		
90KSPB	1	17-3/4 x 22-3/4	16	18	19-1/2	183
100KSPB	1	21-3/4 x 27	16	18	23-1/2	218
120KSPB	1	25-3/4 x 34-3/8	16	18	27-1/2	253
150KSPB	2	20-3/4 x 28	16	18	27-1/2	327
180KSPB	2	23-5/8 x 29-3/4	16	18	31-1/2	392
200KSPB	2	25 x 41-3/4	16	18	43-1/2	589

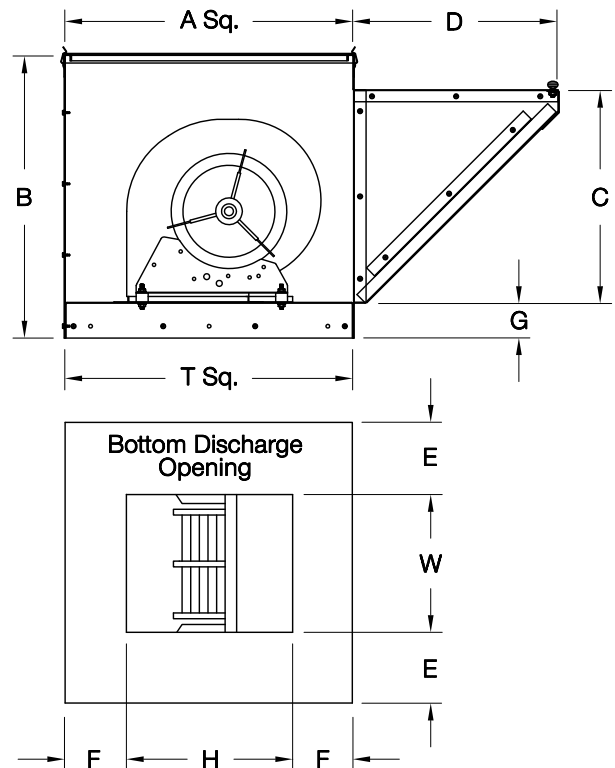
ALL DIMENSIONS IN INCHES. WEIGHTS IN LBS., LESS MOTOR.
 * ROOF OPENING SIZE FOR CURBS SUPPLIED BY COOK ONLY.

STANDARD CONSTRUCTION FEATURES:

DWDI blower mounted in a totally enclosed galvanized cabinet with hooded, filtered intake – Insulated top cap with quick release latches – Permanent, one inch, washable, aluminum filters (fiberglass or polyester media available) – Adjustable pitch drives through 5 H.P. – Vibration isolators – Corrosion resistant fasteners – All fans factory adjusted to specified fan RPM.

ACCESSORIES

1. INTAKE EXTENSION
2. COMMON CURB
3. COMMON CURB CAP
4. GRAVITY INTAKE DAMPER
5. MOTORIZED INTAKE DAMPER
6. DUCT ADAPTER
7. RCG GALVANIZED CURB
8. RCA ALUMINUM CURB
9. FIBERGLASS OR POLYESTER FILTER MEDIA
10. SPECIAL



QTY	MARK	CATALOG NUMBER	FAN INFORMATION			MOTOR INFORMATION					ACCESSORIES	
			CFM	SP	RPM	HP	VOLTS	HZ	PH	TYPE		

LARGEST MOTOR SHIPPED MOUNTED: ODP (OPEN DRIP-PROOF) 1 HP (SIZES 90-180), 5 HP (SIZE 200);
 2 SP (2 SPEED) NONE (SIZES 90-180), 1-1/2 HP (SIZE 200); X-PRF (EXPLOSION PROOF) NONE (SIZES 90-180),
 1-1/2 HP (SIZE 200); TEFC (TOTALLY ENCLOSED FAN COOLED) NONE (SIZES 90-180), 1-1/2 HP (SIZE 200).