



# COOK

# KSP-D

DATE: \_\_\_\_\_

PROJECT: \_\_\_\_\_

LOCATION: \_\_\_\_\_



**Filtered Kitchen Supply  
Packaged Ventilator  
Side Discharge  
Direct Drive**

**DIMENSION DATA FOR FAN HOUSING**

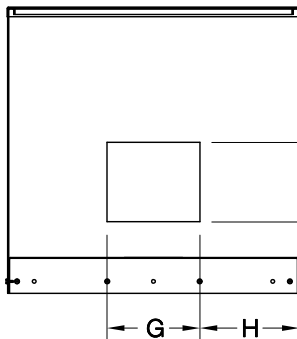
Model	A Sq.	B	C	D	T Sq.	Material Gauges		Ship Wt.
						Base	Housing	
94-99KSPD	24-3/16	24	18 x 18-1/4	17-1/4	24-1/4	16	18	190
103-106KSPD	28-3/16	27	21 x 22-1/4	20-1/4	28-1/4	16	18	210
122-127KSPD	32-3/16	32-1/4	26-3/16 x 26-1/2	25-5/8	32-1/4	16	18	270

ALL DIMENSIONS IN INCHES. WEIGHTS IN LBS.

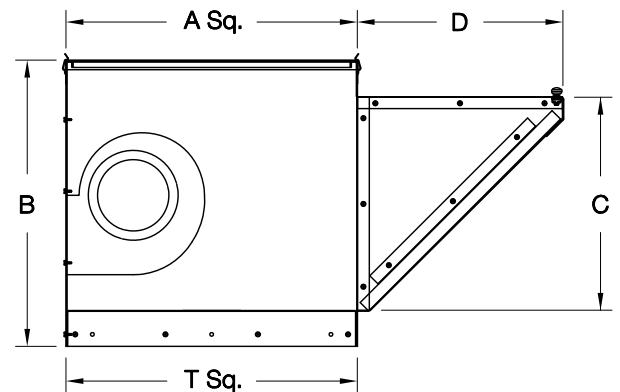
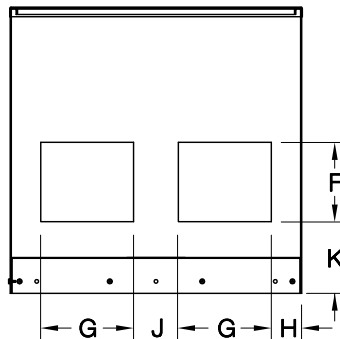
**STANDARD CONSTRUCTION FEATURES:**

Totally enclosed galvanized cabinet with hooded, filtered intake –  
Top cap quick release latches – Permanent, one inch, washable,  
aluminum filters (fiberglass or polyester media available).

**Single Discharge**  
(SIZES 94-106)



**Dual Discharge**  
(SIZES 122-127)



**DIMENSION DATA FOR OUTLET**

Size	F	G	H	J	K
94,95	3	4-9/16	9-13/16	-	6-1/4
96,97	3-7/16	4-7/8	9-5/8	-	6-1/4
98,99	3-7/8	5-5/8	9-1/4	-	6-1/4
103-106	3-7/8	8-9/16	9-13/16	-	6-1/4
122-124	4-7/8	6-3/16	6-7/8	6	3-7/16
125-127	4-7/8	6-1/4	4-7/8	10	3-15/16

ALL DIMENSIONS IN INCHES. WEIGHTS IN LBS.

**ACCESSORIES**

1. INTAKE EXTENSION
2. COMMON CURB
3. COMMON CURB CAP
4. DUCT ADAPTER
5. RCG GALVANIZED CURB
6. SPEED CONTROL
7. INTAKE DAMPER
8. SPECIAL

QTY	MARK	CATALOG NUMBER	FAN INFORMATION			MOTOR INFORMATION					ACCESSORIES	
			CFM	SP	RPM	HP	VOLTS	HZ	PH	TYPE		

MOTOR TYPE: ODP (OPEN DRIP-PROOF).

RE204R01