

DATE: \_\_\_\_\_

PROJECT: \_\_\_\_\_

LOCATION: \_\_\_\_\_



**Upblast Exhaust Ventilator  
Extruded Aluminum Propeller  
Roof Mounted/Belt Drive**

**DIMENSION DATA**

Size	A Dia.	B	C	D	E	F	T Sq.	Max. Motor Frame	ShipWt. Steel	ShipWt. Alum.	Roof Opening Sq.*
24	31	19-1/8	47-3/4	4	3	16-13/16	36	184T	335	280	31-1/2
30	37	23-5/8	52-3/8	3-7/8	3	14-5/16	42	254T	425	349	37-1/2
36	43	25-5/8	60-7/8	4	3	15-13/16	48	254T	510	378	43-1/2
42	49	27-7/8	63-5/8	4	3	15-13/16	54	254T	605	435	49-1/2
48	55	31-1/4	67	4	3	14-13/16	60	284T	730	490	55-1/2
54	61	35-1/4	77	4	3	18-1/4	66	284T	875	-	61-1/2
60	67	36-1/2	78-1/4	4	3	15-1/8	72	284T	1014	-	67-1/2
72	79	44	92-3/4	3-1/2	3	17-1/8	84	284T	1170	-	79-1/2

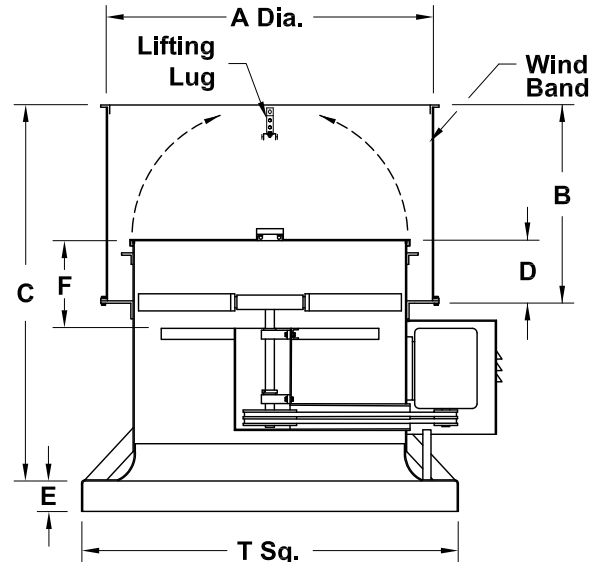
ALL DIMENSIONS IN INCHES. WEIGHTS IN LBS., LESS MOTOR.  
\* ROOF OPENING SIZE FOR CURBS SUPPLIED BY COOK ONLY.

**STANDARD CONSTRUCTION FEATURES:**

Extruded aluminum propeller - Spun steel Venturi/curb cap - Heavy gauge, painted steel lower drum - Painted steel windband - Heavy duty steel power assembly - 2 point lifting lugs - Butterfly damper doors (24-36 alum, 42-72 galv. steel) - Welded curb cap corners - Adjustable pitch drives through 5 hp motor - Regreasable bearings in a cast housing - Propellers are statically and dynamically balanced - Turned, ground and polished steel shafting - Shaft and bearings protected from the airstream - Motor mounted outside of housing under painted steel weather cover - Extended lube lines on bearings - Corrosion resistant fasteners - Static resistant belts - All fans factory adjusted to specified RPM.

**ACCESSORIES**

1. NEMA 3 DISCONNECT SWITCH
2. INLET BASKET GUARD
3. DISCHARGE GUARD
4. MAGNETIC LATCHES
5. ACCESS DOOR
6. HINGED SUB-BASE
7. ALUMINUM CONSTRUCTION
8. RCG GALVANIZED COATING
9. RCA ALUMINUM CURB
10. EPOXY POWDER COATING
11. PHENOLIC EPOXY COATING
12. PRIME COAT



QTY	MARK	CATALOG NUMBER	FAN INFORMATION			MOTOR INFORMATION					ACCESSORIES										
			CFM	SP	RPM	HP	VOLTS	HZ	PH	TYPE											

**LARGEST MOTOR SHIPPED MOUNTED:** ODP (OPEN DRIP-PROOF) 5 HP; 2 SP (2 SPEED) 2 HP;  
X-PRF (EXPLOSION PROOF) 2 HP; TEFC (TOTALLY ENCLOSED FAN COOLED) 3 HP;