



COOK

LXUM

DATE: _____

PROJECT: _____

LOCATION: _____

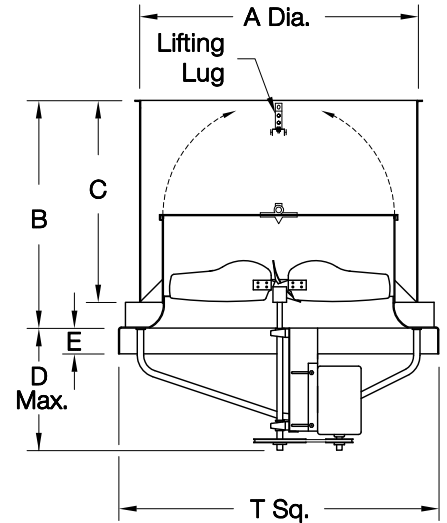


**Low Silhouette
Upblast Exhaust Ventilator
Medium Pressure X-Stream Propeller
Roof Mounted/Belt Drive**

DIMENSION DATA

Size	A Dia.	B	C	D Max.	E	T Sq.	Steel Gauge			Roof Opening Sq.*	Ship Wt.
							Base	Lower Drum	Wind Band		
20	24-1/4	24-1/8	22-1/8	21	2	32	14	14	18	27-1/2	250
24	31-1/4	28	26	21	3	36	14	14	18	31-1/2	290
30	37-1/4	34	32	21	3	42	14	14	18	37-1/2	370
36	43-1/4	38	36	21	3	48	14	14	18	43-1/2	440
42	49-1/4	45	43	21	3	54	14	14	18	49-1/2	540
48	55-1/4	50	48	24	3	60	14	14	18	55-1/2	655
54	61-1/4	46	44	28	3	66	14	14	16	61-1/2	710
60	67-1/4	51	49	28	3	72	14	14	16	67-1/2	790

ALL DIMENSIONS IN INCHES. WEIGHTS IN LBS., LESS MOTOR.
* ROOF OPENING SIZE FOR CURBS SUPPLIED BY COOK ONLY.



STANDARD CONSTRUCTION FEATURES:

X-Stream steel propeller - All non-galvanized steel components finished with Lorenized baked powder coat - 14 gauge spun steel Venturi/curb cap - 14 gauge steel lower drum - Minimum 18 gauge steel windband - Welded tubular steel power assembly - 2 point lifting lugs - Aluminum butterfly damper doors (20-36) - Galvanized steel butterfly dampers (42-60) - Welded curb cap corners - Adjustable pitch drives through 5 hp - Regreasable bearings in cast housing, rated at 200,000 hours average life - Propellers are statically and dynamically balanced - Corrosion resistant fasteners - Static resistant belts - All fans factory adjusted to specified RPM.

ACCESSORIES

1. DISCONNECT SWITCH
2. ALUMINUM DAMPERS (42-60)
3. DISCHARGE GUARD
4. INLET GUARD
5. MAGNETIC LATCHES
6. RCG GALVANIZED CURB
7. RCA ALUMINUM CURB
8. EPOXY COATING
9. PHENOLIC EPOXY COATING
10. PRIME COAT
11. ANTI-CONDENSATE COATING

QTY	MARK	CATALOG NUMBER	FAN INFORMATION			MOTOR INFORMATION					ACCESSORIES								
			CFM	SP	RPM	HP	VOLTS	HZ	PH	TYPE									

LARGEST MOTOR SHIPPED MOUNTED: ODP (OPEN DRIP-PROOF) 5 HP; 2 SP (2 SPEED) 2 HP;
X-PRF (EXPLOSION PROOF) 2 HP; TEFC (TOTALLY ENCLOSED FAN COOLED) 3 HP.

RP009R01