



COOK

Basket Guard

DATE: _____

16 Ga. Steel Expanded Metal

PROJECT: _____

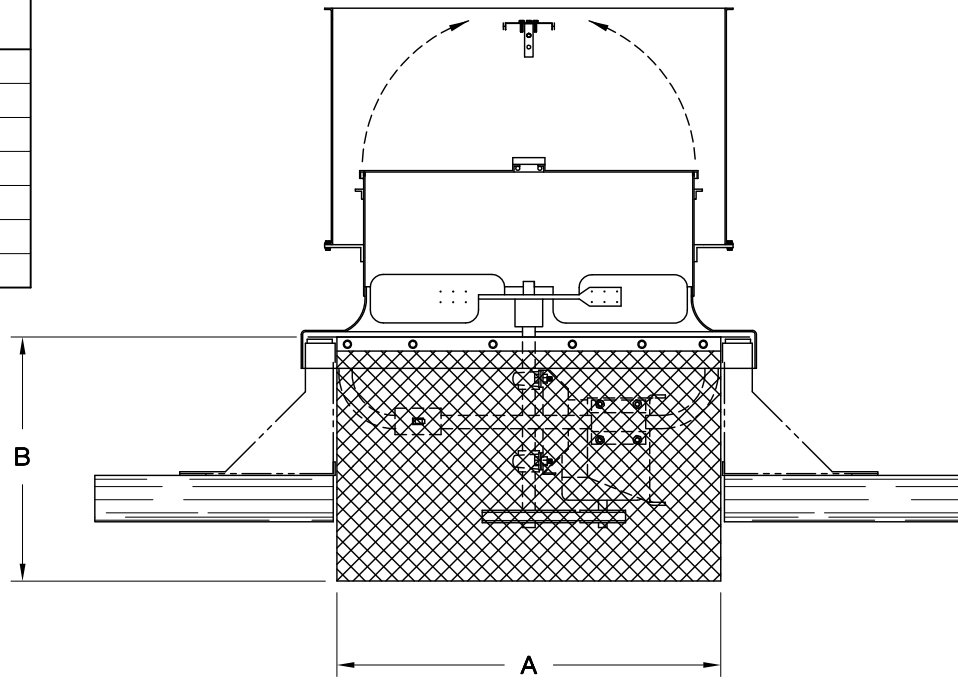
Wire Mesh

LOCATION: _____

LSU/LSUE

DIMENSION DATA

Size	A	B
24	31	21
30	37	21
36	43	21
42	49-1/8	26
48	55-1/8	26
54	61-1/8	28
60	67-1/8	28



QTY	MARK	CATALOG NUMBER	FAN INFORMATION			MOTOR INFORMATION					ACCESSORIES						
			CFM	SP	RPM	HP	VOLTS	HZ	PH	TYPE							