



COOK

LTU

DATE: _____

PROJECT: _____

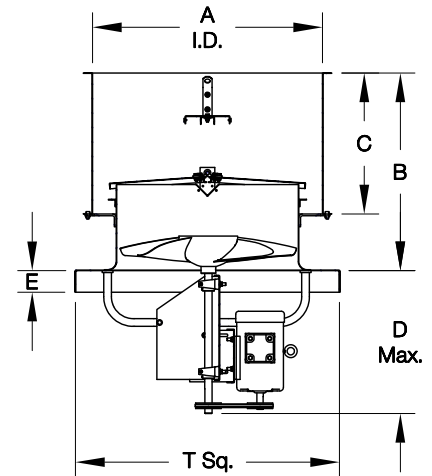
LOCATION: _____



Low Silhouette Upblast Exhaust Ventilator Triton Propeller Roof Mounted/Belt Drive

STANDARD CONSTRUCTION FEATURES:

Fabricated steel propeller – Lorenized steel housing – Spun steel Venturi/curb cap – Lorenized steel wind band – Aluminum butterfly damper doors (20–36) – Galvanized steel butterfly dampers (42–60) – Welded curb cap corners – Permanently lubricated ball bearings – Variable pitch drives through 5 hp motor – Corrosion resistant fasteners – Static resistant belts – All fans are factory adjusted to the specified RPM.



ACCESSORIES

1. DISCONNECT SWITCH
2. ALUMINUM DAMPERS (42–60)
3. DISCHARGE GUARD
4. INLET GUARD
5. MAGNETIC LATCHES
6. RCG GALVANIZED CURB
7. RCA ALUMINUM CURB
8. EPOXY COATING
9. PHENOLIC EPOXY COATING
10. PRIME COAT
11. ANTI-CONDENSATE COATING

DIMENSION DATA

Size	A Dia.	B	C	D Max.	E	T Sq.	Steel Gauge			Roof Opening Sq.*	Ship Wt.
							Base	Housing	Baffle		
20	27-1/4	24-7/8	17-1/2	22	2	32	14	14	18	27-1/2	306
24	31-1/4	26-3/4	19-1/8	22	3	36	14	14	18	31-1/2	378
30	37-1/4	33-3/4	23-5/8	22	3	42	14	14	18	37-1/2	448
36	43-1/4	38	25-5/8	22	3	48	14	14	18	43-1/2	520
42	49-1/4	44	27-5/8	22	3	54	14	14	18	49-1/2	610
48	55-1/4	49-5/8	31-1/4	25	3	60	14	14	18	55-1/2	700
54	61-1/4	48-1/8	35-1/4	29	3	66	14	14	16	61-1/2	870
60	67-1/4	50-3/8	36-1/2	29	3	72	14	14	16	67-1/2	1080

ALL DIMENSIONS IN INCHES. WEIGHTS IN LBS., LESS MOTOR.

* ROOF OPENING SIZE FOR CURBS SUPPLIED BY COOK ONLY.

QTY	MARK	CATALOG NUMBER	FAN INFORMATION			MOTOR INFORMATION					ACCESSORIES							
			CFM	SP	RPM	HP	VOLTS	HZ	PH	TYPE								

LARGEST MOTOR SHIPPED MOUNTED: ODP (OPEN DRIP-PROOF) 5 HP; 2 SP (2 SPEED) 2 HP;

X-PRF (EXPLOSION PROOF) 2 HP; TEFC (TOTALLY ENCLOSED FAN COOLED) 3 HP.

RP014R00