



COOK

EUD

DATE: _____

PROJECT: _____

LOCATION: _____



**Upblast Exhaust Ventilator
Extruded Aluminum Propeller
Roof Mounted/Direct Drive**

DIMENSION DATA

Size	A Dia.	B	C	D	E	F	T Sq.	Max. Motor Frame	Ship Wt. Steel	Ship Wt. Alum.	Roof Opening Sq.*
24	31	19-1/8	47-3/4	4	3	14	36	145T	221	185	31-1/2
30	37	23-5/8	52-3/8	3-7/8	3	15	42	184T	317	271	37-1/2
36	43	25-5/8	60-7/8	4	3	17	48	256T	489	379	43-1/2
42	49	27-7/8	63-5/8	4	3	17	54	256T	636	484	49-1/2
48	55	31-1/4	67	4	3	17	60	256T	773	591	55-1/2

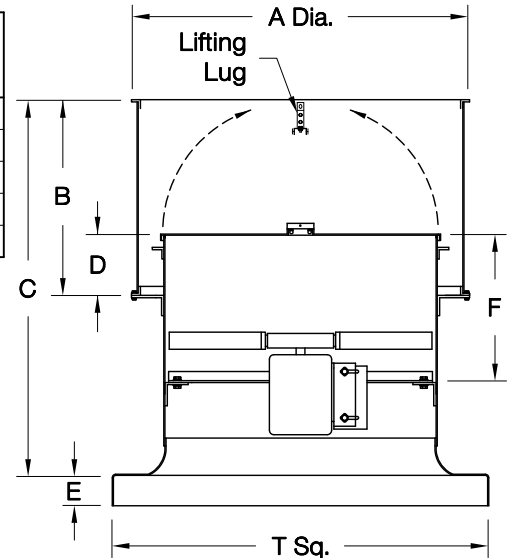
ALL DIMENSIONS IN INCHES. WEIGHTS IN LBS.
* ROOF OPENING SIZE FOR CURBS SUPPLIED BY COOK ONLY.

STANDARD CONSTRUCTION FEATURES:

Extruded aluminum propeller – Spun steel Venturi/curb cap – Heavy gauge, painted steel lower drum – 2 point lifting lugs – Painted steel windband – Structural steel power assembly – Butterfly damper doors (24–36 alum, 42–48 galv. steel) – Welded curb cap corners – Corrosion resistant fasteners.

ACCESSORIES

1. NEMA 3 DISCONNECT SWITCH
2. INLET BASKET GUARD
3. DISCHARGE GUARD
4. MAGNETIC LATCHES
5. ACCESS DOOR
6. HINGED SUB-BASE
7. RCG GALVANIZED CURB
8. RCA ALUMINUM CURB
9. EPOXY COATING
10. ANTI-CONDENSATE COATING
11. PHENOLIC EPOXY COATING
12. PRIME COAT
13. ALUMINUM CONSTRUCTION



QTY	MARK	CATALOG NUMBER	FAN INFORMATION			MOTOR INFORMATION					ACCESSORIES							
			CFM	SP	RPM	HP	VOLTS	HZ	PH	TYPE								

MOTOR TYPE: ODP (OPEN DRIP-PROOF); 2 SP (2 SPEED); X-PRF (EXPLOSION PROOF); TEFC (TOTALLY ENCLOSED FAN COOLED).

RP035R00