



COOK

AQD

DATE: _____

PROJECT: _____

LOCATION: _____

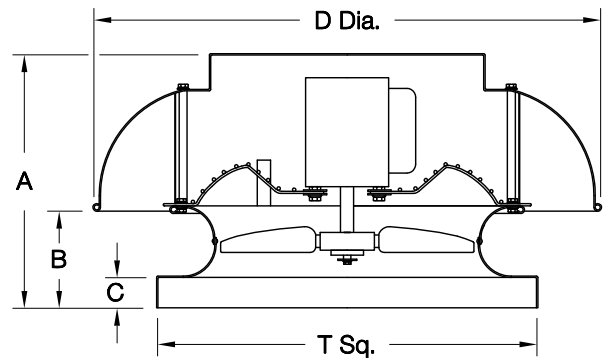


**Downblast Propeller
Exhaust Ventilator
Roof Mounted/Direct Drive**

DIMENSION DATA

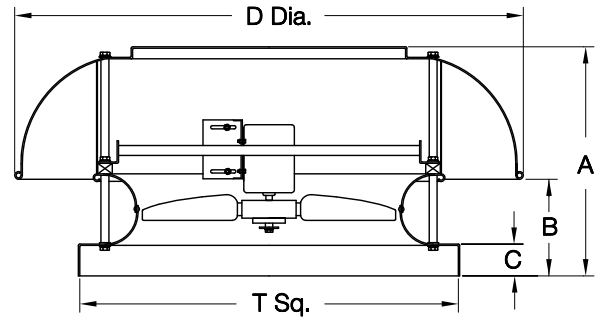
Size	A	B	C	D Dia.	T Sq.	Max. Motor Frame	Approx. Ship Wt.	Roof Opening Sq.*
12	14-9/16	5-1/8	2	28-1/4	20	48T	58	15-1/2
16	16	6-1/8	2	33-1/4	28	56T	90	23-1/2
20	18-3/8	7-1/8	2	43-1/4	32	143T	155	27-1/2
24	21-5/8	9-1/8	3	47-1/2	36	145T	210	31-1/2
30	26-1/4	9-1/4	3	52-1/2	42	184T	318	37-1/2
36	27-1/4	9-3/4	3	62-1/2	48	184T	345	43-1/2
42	32-3/4	10-1/4	3	74-1/2	54	215T	418	49-1/2
48	32-3/4	10-1/4	3	74-1/2	60	215T	475	55-1/2

ALL DIMENSIONS IN INCHES. WEIGHTS IN LBS.
* ROOF OPENING SIZE FOR CURBS SUPPLIED BY COOK ONLY.



STANDARD CONSTRUCTION FEATURES:

Cast aluminum propeller – Spun aluminum topcap –
Aluminum curb cap w/welded corners – Aluminum
inlet venturi – Corrosion resistant fasteners.



ACCESSORIES

1. DISCONNECT SWITCH
2. BIRD SCREEN
3. GRAVITY BACKDRAFT DAMPER
4. MOTORIZED BACKDRAFT DAMPER
5. RCG GALVANIZED CURB
6. RCA ALUMINUM CURB
7. EPOXY COATING
8. ANTI-CONDENSATE COATING
9. HINGED BASE

QTY	MARK	CATALOG NUMBER	FAN INFORMATION			MOTOR INFORMATION					ACCESSORIES							
			CFM	SP	RPM	HP	VOLTS	HZ	PH	TYPE								

MOTOR TYPE: ODP (OPEN DRIP-PROOF); 2 SP (2 SPEED); X-PRF (EXPLOSION PROOF);
TEFC (TOTALLY ENCLOSED FAN COOLED).

RP041R04