



COOK

SEP

DATE: _____

PROJECT: _____

LOCATION: _____

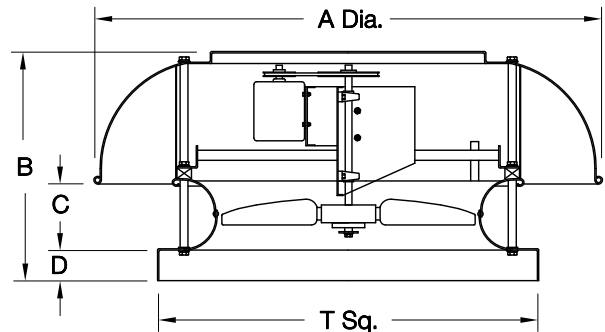


Downblast Propeller Supply or Exhaust Ventilator Roof Mounted/Belt Drive

DIMENSION DATA

Size	A Dia.	B	C	D	T Sq.	Ship Wt.	Roof Opening Sq.*
24	47-1/2	24-7/8	6-1/8	3	36	175	31-1/2
30	52-1/2	26-1/4	6-1/4	3	42	218	37-1/2
36	62-1/2	27-1/4	6-3/4	3	48	265	43-1/2
42	74-1/2	32-3/4	7-1/4	3	54	318	49-1/2
48	74-1/2	32-3/4	7-1/4	3	60	360	55-1/2

ALL DIMENSIONS IN INCHES. WEIGHTS IN LBS., LESS MOTOR.
* ROOF OPENING SIZE FOR CURBS SUPPLIED BY COOK ONLY.



STANDARD CONSTRUCTION FEATURES:

Reversible cast aluminum propeller – Spun aluminum Venturi/curb cap – Heavy duty painted tubular steel power assembly – Spun Aluminum top cap – Rubber vibration isolators – Adjustable pitch drives through 3 hp motor – Regreasable bearings in cast housing, rated at over 200,000 hours average life – Welded curb cap corners – Ball bearing motors – All fans factory adjusted to specified RPM.

ACCESSORIES

1. DISCONNECT SWITCH
2. REVERSING SWITCH
3. MOTORIZED INTAKE DAMPER
4. BIRDSCREEN
5. RCG GALVANIZED CURB
6. RCA ALUMINUM CURB
7. EPOXY COATING
8. ANTI-CONDENSATE COATING
9. SPECIAL

QTY	MARK	CATALOG NUMBER	FAN INFORMATION			MOTOR INFORMATION					ACCESSORIES						
			CFM	SP	RPM	HP	VOLTS	HZ	PH	TYPE							

LARGEST MOTOR SHIPPED MOUNTED: **STD** (STANDARD) 3 HP; **2 SP** (2 SPEED) 1-1/2HP;
X-PRF (EXPLOSION PROOF) 1-1/2 HP; **TEFC** (TOTALLY ENCLOSED FAN COOLED) 1-1/2 HP;

RP043R03