



COOK

REBS

DATE: _____

PROJECT: _____

LOCATION: _____

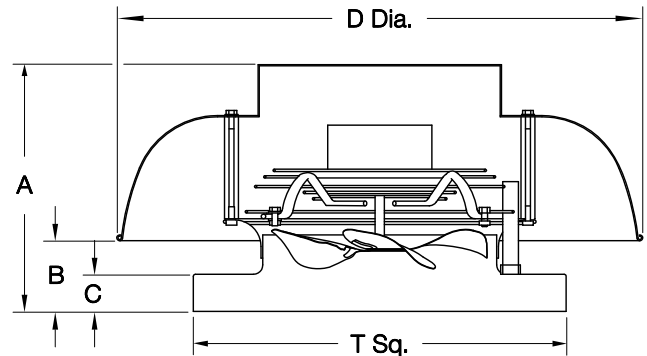


**Downblast Propeller
Supply Ventilator
Roof Mounted/Direct Drive**

DIMENSION DATA

Size	A	B	C	D Dia.	T Sq.	Roof Opening Sq.*	Ship Wt.
12	14-9/16	5-1/8	2	28-1/4	20	15-1/2	85
16	16	6-1/8	2	33-1/4	28	23-1/2	115
20	18-3/8	7-1/8	2	43-1/4	32	27-1/2	165
24	21-5/8	9-1/8	3	47-1/2	36	31-1/2	220

ALL DIMENSIONS IN INCHES. WEIGHTS IN LBS.
* ROOF OPENING SIZE FOR CURBS SUPPLIED BY COOK ONLY.



STANDARD CONSTRUCTION FEATURES:

Aluminum propeller blades attached to a steel hub –
Spun aluminum topcap – Plated steel motor mount/wire guard – Aluminum curb cap w/welded corners –
Aluminum inlet venturi – Corrosion resistant fasteners –
Two speed motor.

ACCESSORIES

1. DISCONNECT SWITCH
2. BIRD SCREEN
3. GRAVITY INTAKE DAMPER
4. MOTORIZED INTAKE DAMPER
5. RCG GALVANIZED CURB
6. RCA ALUMINUM CURB
7. LORENIZED COATING
8. PHENOLIC COATING WITH UV
9. ANTI-CONDENSATE COATING
10. PRE-WIRED DISCONNECT SWITCH
11. HINGED BASE
12. FLAT BASE
13. FAN SPEED CONTROLLERS
14. SPECIAL

QTY	MARK	CATALOG NUMBER	FAN INFORMATION			MOTOR INFORMATION					ACCESSORIES							
			CFM	SP	RPM	HP	VOLTS	HZ	PH	TYPE								

MOTOR TYPE: ODP (OPEN DRIP-PROOF)

RP045R00