



COOK

TUD

DATE: _____

PROJECT: _____

LOCATION: _____



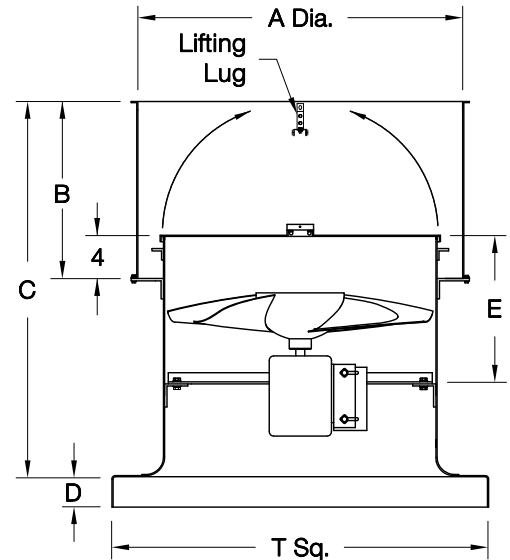
**Propeller Upblast
Exhaust Ventilator
Triton Steel Propeller
Roof Mounted/Direct Drive**

DIMENSION DATA

Size	A Dia.	B	C	D	E	T Sq.	Max. Motor Frame	Ship Wt. Steel	Roof Opening Sq.*
20	20-5/8	18-1/8	47-3/4	2	14	32	145T	310	27-1/2
24	31-1/4	19-1/8	48-3/8	3	14	36	145T	380	31-1/2
30	37-1/4	23-5/8	54-1/8	3	16-1/4	42	184T	470	37-1/2
36	43-1/4	25-5/8	61-1/8	3	17	48	256T	610	43-1/2
42	49-1/4	27-5/8	64-9/16	3	18-1/8	54	256T	730	49-1/2
48	55-1/4	31-1/4	70-13/16	3	20-9/16	60	256T	1040	55-1/2
54	60-3/4	35-1/4	79-1/4	3	19-1/8	66	256T	1440	61-1/2
60	72-3/4	36-1/2	83-3/4	3	23-1/4	72	256T	1640	67-1/2

ALL DIMENSIONS IN INCHES. WEIGHTS IN LBS.

* ROOF OPENING SIZE FOR CURBS SUPPLIED BY COOK ONLY.



STANDARD CONSTRUCTION FEATURES:

Lorenized powder paint finished on all uncoated steel parts – Triton steel propeller – Steel Venturi/curb cap – Heavy gauge steel lower drum – 2 point lifting lugs – Steel windband – Structural steel power assembly – Butterfly damper doors (24-36 alum, 42-60 galv. steel) – Welded curb cap corners – Corrosion resistant fasteners.

ACCESSORIES

- | | |
|-----------------------------|----------------------------|
| 1. NEMA 3 DISCONNECT SWITCH | 7. RCA ALUMINUM CURB |
| 2. INLET BASKET GUARD | 8. EPOXY COATING |
| 3. DISCHARGE GUARD | 9. ANTI-CONDENSATE COATING |
| 4. MAGNETIC LATCHES | 10. PHENOLIC EPOXY COATING |
| 5. ACCESS DOOR | 11. PRIME COAT |
| 6. RCG GALVANIZED CURB | |

QTY	MARK	CATALOG NUMBER	FAN INFORMATION			MOTOR INFORMATION					ACCESSORIES							
			CFM	SP	RPM	HP	VOLTS	HZ	PH	TYPE								

MOTOR TYPE: ODP (OPEN DRIP-PROOF); 2 SP (2 SPEED); X-PRF (EXPLOSION PROOF); TEFC (TOTALLY ENCLOSED FAN COOLED).

RP082R00