



# COOK

# TUB

DATE: \_\_\_\_\_  
 PROJECT: \_\_\_\_\_  
 LOCATION: \_\_\_\_\_



## Upblast Exhaust Ventilator Triton Steel Propeller Roof Mounted/Belt Drive

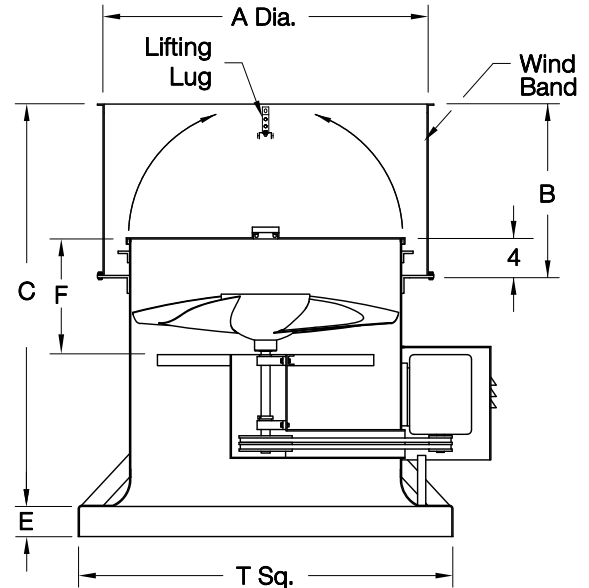
### DIMENSION DATA

Size	A Dia.	B	C	D	E	F	T Sq.	Max. Motor Frame	Ship Wt. Steel	Roof Opening Sq.*
20	27-1/4	18-1/8	47-3/4	4	2	16-13/16	32	184T	330	27-1/2
24	31-1/4	19-1/8	48-3/8	4	3	16-13/16	36	184T	380	31-1/2
30	37-1/4	23-5/8	54-1/8	4	3	16-1/16	42	254T	480	37-1/2
36	43-1/4	25-5/8	61-1/8	4	3	16-5/16	48	254T	570	43-1/2
42	49-1/4	27-7/8	64-9/16	4	3	17-7/16	54	254T	670	49-1/2
48	55-1/4	31-1/4	70-13/16	4	3	18-7/8	60	284T	780	55-1/2
54	61-1/4	35-1/4	79-1/4	4	3	20-7/8	66	284T	1030	61-1/2
60	67-1/4	36-1/2	83-3/4	4	3	20-7/8	72	284T	1260	67-1/2
72	79	44	98-13/16	4	3	22-15/16	84	284T	1620	79-1/2

ALL DIMENSIONS IN INCHES. WEIGHTS IN LBS., LESS MOTOR.  
 \* ROOF OPENING SIZE FOR CURBS SUPPLIED BY COOK ONLY.

### ACCESSORIES

1. NEMA 3 DISCONNECT SWITCH
2. INLET BASKET GUARD
3. DISCHARGE GUARD
4. MAGNETIC LATCHES
5. ACCESS DOOR
6. ALUMINUM CONSTRUCTION
7. RCG GALVANIZED CURB
8. RCA ALUMINUM CURB
9. EPOXY POWDER COATING
10. PHENOLIC EPOXY COATING
11. PRIME COAT
12. HIGH TEMP 200°-300°F
13. HIGH TEMP 301°-500°F
14. HIGH TEMO 500°F FOR 4 HOURS  
1000°F FOR 15 MINUTES
15. HIGH TEMPERATURE BEARINGS
16. HIGH TEMPERATURE PAINT
17. FUSE LINK DAMPER (NON UL)
18. HINGED SUB-BASE
19. ANTI-CONDENSATE COATING



### STANDARD CONSTRUCTION FEATURES:

Lorenized powder paint finish on all uncoated steel parts - Triton steel propeller - Spun steel Venturi/curb cap - Heavy gauge steel lower drum - Steel windband - Heavy duty steel power assembly - 2 point lifting lugs - Butterfly damper doors (24-36 alum, 42-72 galv. steel) - Welded curb cap corners - Adjustable pitch drives through 5 hp motor - Regreasable bearings in a cast housing - Propellers are statically and dynamically balanced - Turned, ground and polished steel shafting - Shaft and bearings protected from the airstream - Motor mounted outside of housing under steel weather cover - Extended lube lines on bearings - Corrosion resistant fasteners - Static resistant belts - All fans factory adjusted to specified RPM.

QTY	MARK	CATALOG NUMBER	FAN INFORMATION			MOTOR INFORMATION					ACCESSORIES			
			CFM	SP	RPM	HP	VOLTS	HZ	PH	TYPE				

LARGEST MOTOR SHIPPED MOUNTED: ODP (OPEN DRIP-PROOF) 5 HP; 2 SP (2 SPEED) 2 HP;  
 X-PRF (EXPLOSION PROOF) 2 HP; TEFC (TOTALLY ENCLOSED FAN COOLED) 3 HP;

RP084R01