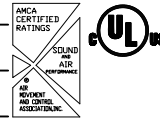




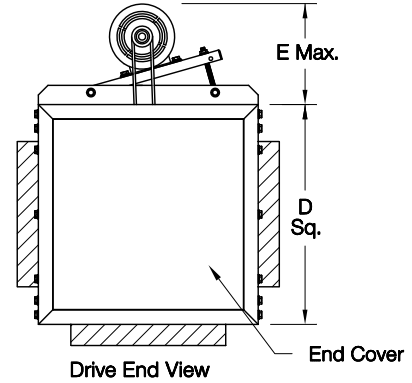
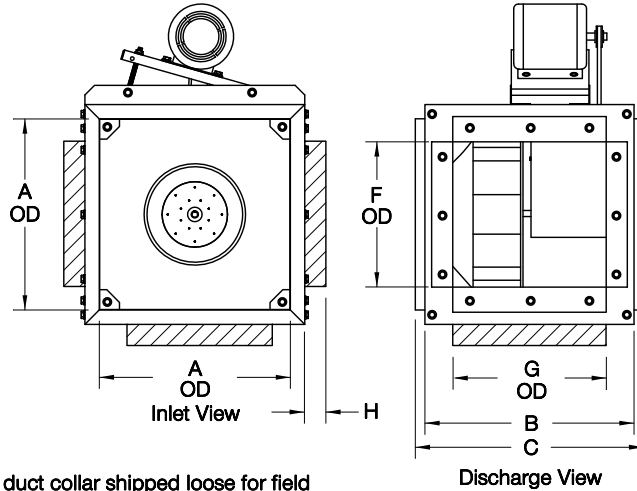
# COOK

# SQN-B

DATE: \_\_\_\_\_  
 PROJECT: \_\_\_\_\_  
 LOCATION: \_\_\_\_\_



## Centrifugal Square Inline Side Discharge Belt Drive



**Note:**  
 Side discharge duct collar shipped loose for field installation in any of 3 locations shown shaded above.

### DIMENSION DATA

Size	A	B	C	D Sq.	E	F	G	H	Housing Gauge	Max Mtr Frame	Ship Wt.
60	12	20	22	14	12-1/2	8-15/16	14-1/8	1	18	143T	80
70	12	20	22	14	12-1/2	8-15/16	14-1/8	1	18	143T	80
80	12	20	22	14	12-1/2	8-15/16	14-1/8	1	18	143T	80
100	12	20	22	14	12-1/2	8-15/16	14-1/8	1	18	143T	80
120	16	20	22	18-7/16	12-1/2	12-9/16	14-1/8	1	18	145T	100
135	18	20-1/4	22-1/4	20-3/4	12-1/2	13-1/8	14-1/4	1	18	145T	125
150	20	21-7/8	23-7/8	23	12-3/4	16-1/8	15-15/16	1	18	145T	150
165	22	25	27	25-5/16	14-3/4	18-1/8	19-1/8	1	18	182T	175
180	24	28	30	27-5/8	14-3/4	20-1/8	21	1	16	182T	200
195	26	30-1/4	32-1/4	29-15/16	15	22-1/8	23-1/4	1	16	182T	225
210	28	32	35	31-1/4	15	24-1/8	24-1/2	2	16	182T	250
225	30	34-1/4	37-1/4	33-1/2	15-1/4	26-1/8	26-3/4	2	16	184T	300
245	33	34	38	36	17-1/4	29-1/8	26-1/16	2	16	213T	350
270	36-7/16	37-1/2	41-1/2	39-11/16	17-1/4	32-1/2	29-11/16	2	16	213T	400
300	40	38	42	44	17-1/4	36-1/8	30-1/8	2	16	213T	450
330	44	41-3/4	45-3/4	48-7/16	17-1/4	40-1/8	31-13/16	2	16	215T	500
365	46	42	46	50	17-1/4	42-1/16	32-3/16	2	16	215T	550
402	50-3/4	46-1/4	50-1/4	55-1/8	17-1/4	46-15/16	36-5/16	2	14	215T	650

ALL DIMENSIONS IN INCHES. WEIGHTS IN LBS. LESS MOTOR AND DRIVES.

### STANDARD CONSTRUCTION FEATURES:

All aluminum wheel - Galvanized steel housing  
 - Three removable access doors - Closed cell neoprene gasketing - Inlet and discharge duct collars - Universal mounting feet - Regreasable bearings in a cast housing rated at 200,000 hours average life - Permanently lubricated ball bearing motor - Adjustable pitch drives through 5 HP - All fans factory adjusted to specified fan RPM - Transit tested packaging.

### ACCESSORIES

- SIDE DISCHARGE PACKAGE
- DUAL SIZE DISCHARGE
- DISCONNECT SWITCH
- BELT GUARD
- OSHA BELT GUARD
- MOTOR COVER (INDOOR USE ONLY)
- INSULATED HOUSING
- INLET/OUTLET FLEX DUCT CONNECTOR
- INLET GUARD
- OUTLET GUARD
- FLANGED INLET/FLANGED OUTLET
- INLET/OUTLET COMPANION FLANGE
- GRAVITY BACKDRAFT DAMPER
- MOTORIZED BACKDRAFT DAMPER
- ALUMINUM EXTERNAL INLET VANE DAMPER
- STEEL EXTERNAL INLET VANE DAMPER
- CEILING MOUNTED RUBBER IN SHEAR ISOLATORS
- FLOOR MOUNTED RUBBER IN SHEAR ISOLATORS
- CEILING MOUNTED SPRING ISOLATORS
- FLOOR MOUNTED SPRING ISOLATORS
- LORENIZED COATING

QTY	MARK	CATALOG NUMBER	FAN INFORMATION			MOTOR INFORMATION					ACCESSORIES									
			CFM	SP	RPM	HP	VOLTS	HZ	PH	TYPE										

LARGEST MOTOR SHIPPED MOUNTED: ODP (OPEN DRIP-PROOF) 5 HP; 2 SP (2 SPEED) 3 HP; X-PRF (EXPLOSION PROOF) 2 HP; TEFC (TOTALLY ENCLOSED FAN COOLED) 5 HP.

SQ005R01