



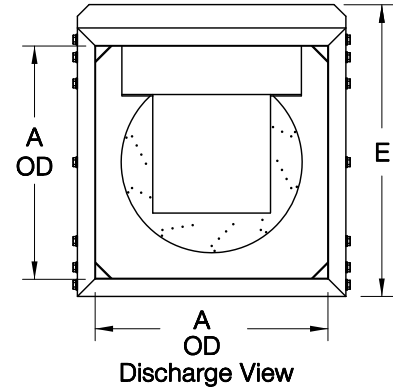
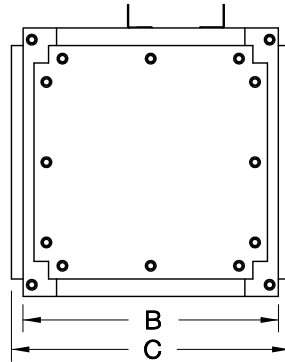
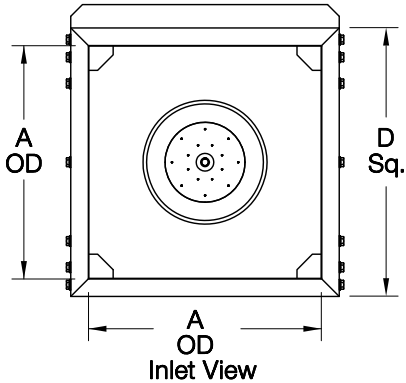
COOK

SQN-D

DATE: _____
 PROJECT: _____
 LOCATION: _____



**Centrifugal Square Inline
 Direct Drive**



DIMENSION DATA

Size	A	B	C	D Sq.	E	Housing Gauge	Ship Wt.
70	10	12	14	12	13-9/16	18	70
90	12	15	17	14	15-9/16	18	90
100	12	20	22	14	15-9/16	18	100
120	16	20	22	18-7/16	20	18	125
135	18	20-1/4	22-1/4	20-3/4	22-5/16	18	150
150	20	21-7/8	23-7/8	23	25-1/16	18	175
165	22	25	27	25-5/16	27-3/8	18	200

ALL DIMENSIONS IN INCHES. WEIGHTS IN LBS., INCLUDING MOTOR.

STANDARD CONSTRUCTION FEATURES:

All aluminum wheel – Galvanized steel housing
 – Three removable access doors – Closed cell neoprene gasketing – Inlet and discharge duct collars – Universal mounting feet – Permanently lubricated motor – Transit tested packaging.

ACCESSORIES

1. SIDE DISCHARGE PACKAGE
2. DUAL SIDE DISCHARGE PACKAGE
3. DISCONNECT SWITCH
4. INSULATED HOUSING
5. INLET/OUTLET FLEX DUCT CONNECTOR
6. INLET GUARD
7. OUTLET GUARD
8. FLANGED INLET/FLANGED OUTLET
9. INLET/OUTLET COMPANION FLANGE
10. GRAVITY BACKDRAFT DAMPER
11. MOTORIZED BACKDRAFT DAMPER
12. CEILING MOUNTED RUBBER IN SHEAR ISOLATORS
13. FLOOR MOUNTED RUBBER IN SHEAR ISOLATORS
14. CEILING MOUNTED SPRING ISOLATORS
15. FLOOR MOUNTED SPRING ISOLATORS
16. LORENIZED COATING

QTY	MARK	CATALOG NUMBER	FAN INFORMATION			MOTOR INFORMATION					ACCESSORIES									
			CFM	SP	RPM	HP	VOLTS	HZ	PH	TYPE										