



COOK

SQND

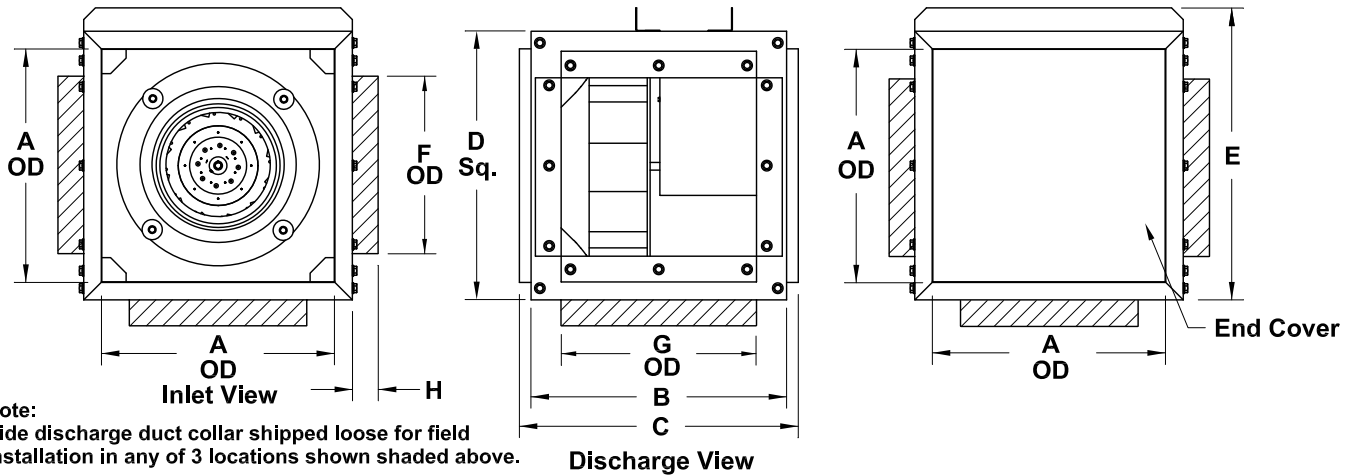
DATE: _____

PROJECT: _____

LOCATION: _____



**Centrifugal Square Inline
Side Discharge
Direct Drive**



DIMENSION DATA

Size	A	B	C	D Sq.	E	F	G	H	Unit Wt.
70	10	12	14	12	13-9/16	6-15/16	6-1/8	1	34
90	12	15	17	14	15-9/16	8-15/16	9-1/8	1	45
100	12	20	22	14	15-9/16	8-15/16	14-1/8	1	49
120	16	20	22	18-7/16	20	12-9/16	14-1/8	1	59
135	18	20-1/4	22-1/4	20-3/4	22-5/16	13-1/8	14-1/4	1	78
150	20	21-7/8	23-7/8	23	25-1/16	16-1/8	15-15/16	1	95
165	22	25	27	25-5/16	27-3/8	18-1/8	19-1/8	1	108

ALL DIMENSIONS IN INCHES. WEIGHTS IN LBS., INCLUDING MOTOR.

STANDARD CONSTRUCTION FEATURES:

All aluminum wheel - Galvanized 18 gauge steel housing - Three removable access doors - Closed cell neoprene gasketing - Inlet and discharge duct collars - Universal mounting feet - Permanently lubricated motor - Transit tested packaging.

ACCESSORIES

1. SIDE DISCHARGE PACKAGE
2. DUAL SIDE DISCHARGE PACKAGE
3. DISCONNECT SWITCH
4. INSULATED HOUSING
5. INLET/OUTLET FLEX DUCT CONNECTOR
6. INLET GUARD
7. OUTLET GUARD
8. FLANGED INLET/FLANGED OUTLET
9. INLET/OUTLET COMPANION FLANGE
10. GRAVITY BACKDRAFT DAMPER
11. MOTORIZED BACKDRAFT DAMPER
12. CEILING MOUNTED RUBBER IN SHEAR ISOLATORS
13. FLOOR MOUNTED RUBBER IN SHEAR ISOLATORS
14. CEILING MOUNTED SPRING ISOLATORS
15. FLOOR MOUNTED SPRING ISOLATORS
16. LORENIZED COATING

QTY	MARK	CATALOG NUMBER	FAN INFORMATION			MOTOR INFORMATION					ACCESSORIES		
			CFM	SP	RPM	HP	VOLTS	HZ	PH	TYPE			