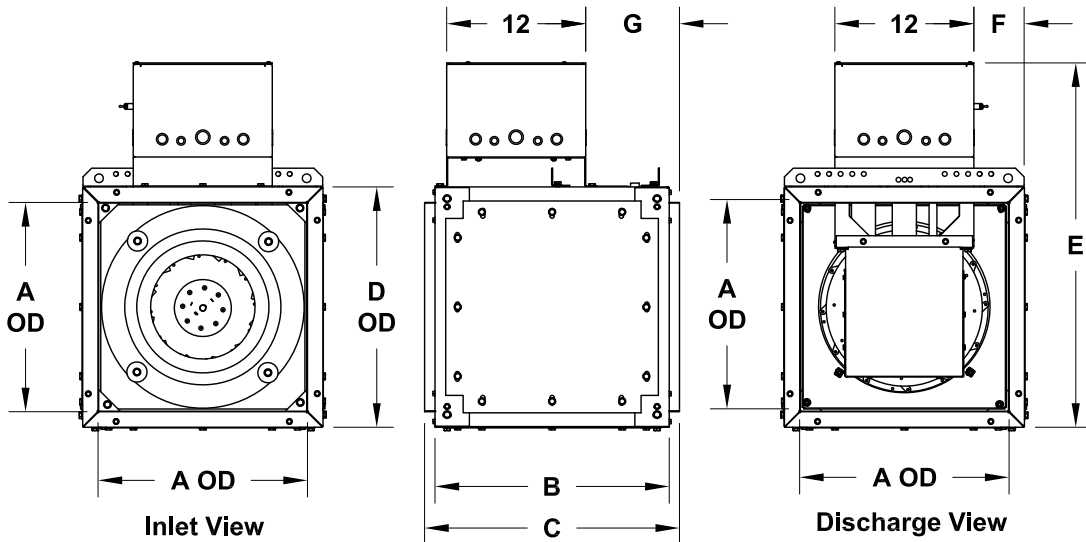


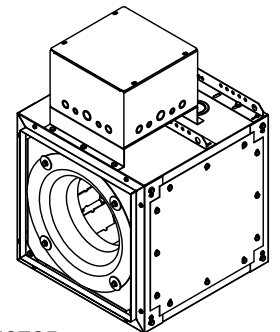
DATE: \_\_\_\_\_  
 PROJECT: \_\_\_\_\_  
 LOCATION: \_\_\_\_\_



**Centrifugal Square Inline  
 Direct Drive  
 Preprogrammed PM  
 Electronically Commutated  
 Vari-Flow® Motor**



Note: Sizes 100-135 motor controller mounted on bracket to clear mounting brackets, all other sizes are mounted directly to the fan.



**DIMENSION DATA**

Size	A	B	C	D Sq.	E	F	G	Unit Wt.
120	16	20	22	18-7/16	29-3/16	3-3/16	2-1/8	64
135	18	20-1/4	22-1/4	20-3/4	31-1/2	4-3/8	8-1/8	83
150	20	21-7/8	23-7/8	23	31-1/8	5-1/2	11-3/4	100
165	22	25	27	25-5/16	33-1/2	6-5/8	13-7/8	113

ALL DIMENSIONS IN INCHES. WEIGHTS IN LBS., INCLUDING MOTOR.

**STANDARD CONSTRUCTION FEATURES:**

All aluminum wheel - Galvanized 18 gauge steel housing - Three removable access doors - Closed cell neoprene gasketing - Inlet and discharge duct collars - Universal mounting feet - Preprogrammed PM electronically commutated Vari-Flow® motor/drive package - Transit tested packaging.

**ACCESSORIES**

- SIDE DISCHARGE PACKAGE
- DUAL SIDE DISCHARGE PACKAGE
- DISCONNECT SWITCH
- INSULATED HOUSING
- INLET/OUTLET FLEX DUCT CONNECTOR
- INLET GUARD
- OUTLET GUARD
- FLANGED INLET/FLANGED OUTLET
- INLET/OUTLET COMPANION FLANGE
- GRAVITY BACKDRAFT DAMPER
- MOTORIZED BACKDRAFT DAMPER
- CEILING MOUNTED RUBBER IN SHEAR ISOLATORS
- FLOOR MOUNTED RUBBER IN SHEAR ISOLATORS
- CEILING MOUNTED SPRING ISOLATORS
- FLOOR MOUNTED SPRING ISOLATORS
- LORENIZED COATING

QTY	MARK	CATALOG NUMBER	FAN INFORMATION			MOTOR INFORMATION					ACCESSORIES	
			CFM	SP	RPM	HP	VOLTS	HZ	PH	TYPE		