



COOK

BELT GUARD

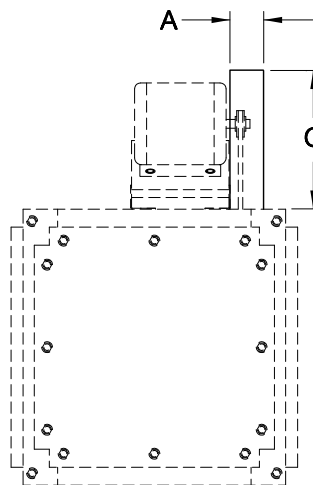
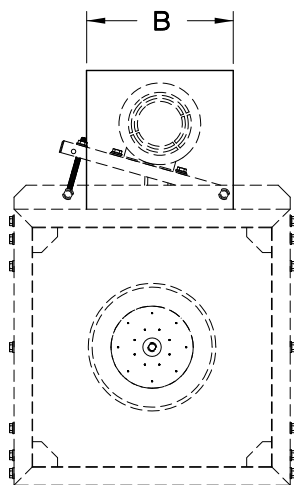
DATE: _____

Accessory Data Sheet

PROJECT: _____

SQN-B, SQN-HP

LOCATION: _____



STANDARD CONSTRUCTION FEATURES:

18 ga. Galvanized steel.

OPTIONS

Lorenized coating.

DIMENSION DATA

Size	A	B	C
60	3-3/8	7-3/8	12-3/8
70	3-3/8	7-3/8	12-3/8
80	3-3/8	7-3/8	12-3/8
100	3-3/8	7-3/8	12-3/8
120	3-3/8	7-3/8	12-3/8
135	3-3/8	7-3/8	12-3/8
150	4-3/16	8	12-3/8
165	5	9-5/8	14-7/8
180	5	9-5/8	14-7/8
195	5-1/2	10-1/4	14-7/8
210	4-1/2	11-1/2	17-1/8
225	4-1/2	11-1/2	17-1/8
245	4-1/2	16-1/4	17-1/8
270	4-1/2	17-1/2	17-1/8
300	4-1/2	16-1/4	17-1/8
330	4-1/2	17-1/2	17-1/8
365	4-1/2	16-1/4	17-1/8
402	4-1/2	17-1/2	17-1/8

ALL DIMENSIONS IN INCHES.