



COOK

MOTOR CONTROLLER COVER

DATE: _____

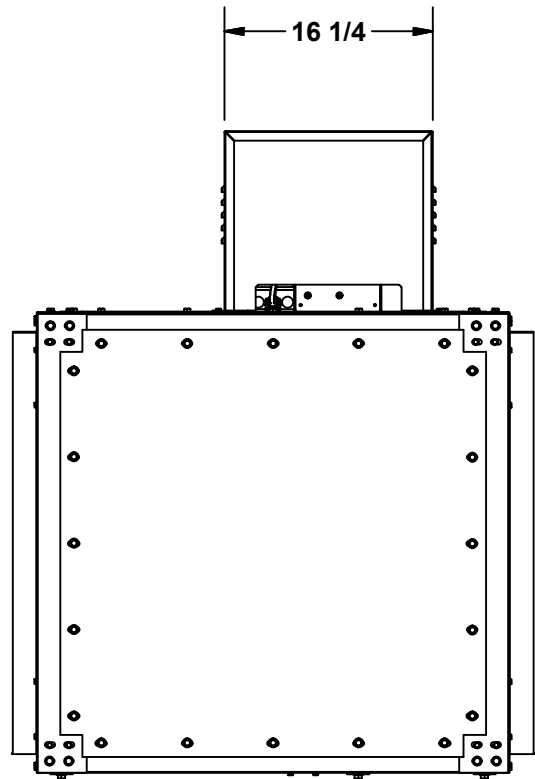
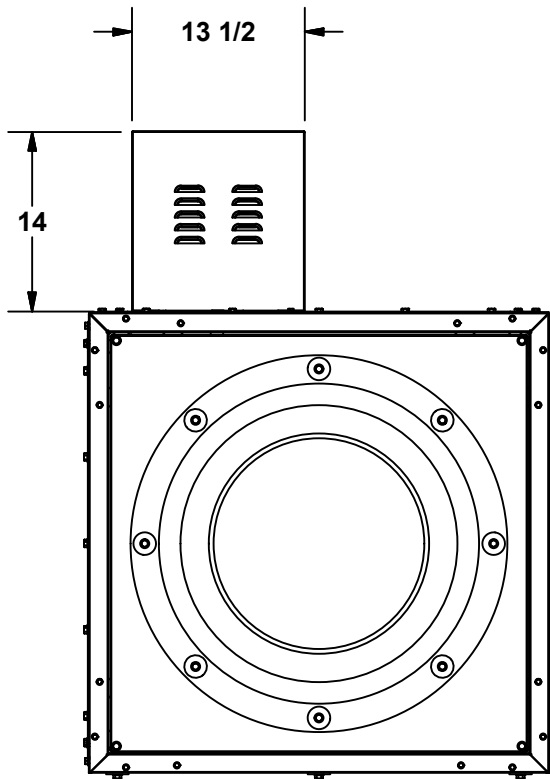
PROJECT: _____

LOCATION: _____

Accessory Data Sheet
SQND, SQND-HP & SQND-XP

Sizes 100-365

Weight = 8



ALL DIMENSIONS IN INCHES. WEIGHTS IN LBS., LESS MOTOR.

SQ105R00