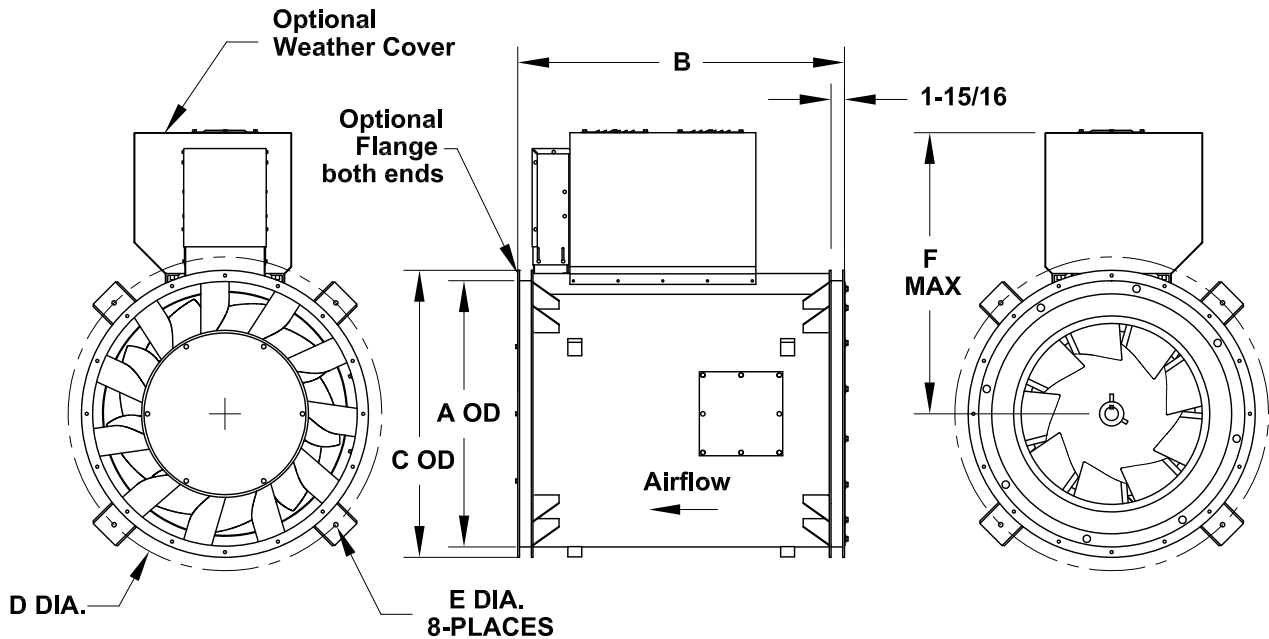


DATE: _____
 PROJECT: _____
 LOCATION: _____



**Mixed Flow Inline
 Vertical Mount
 Belt Drive
 Arrangement 9**



STANDARD CONSTRUCTION FEATURES:

High efficiency mixed flow wheel - Continuously welded steel housing with Lorenized powder coating - Welded aerodynamic straightening vanes - Integral inlet and outlet collars for slip fit duct connections - Adjustable motor plate utilizing threaded studs for positive belt tensioning - Heavy duty ball or roller bearings with copper extended lube lines - Belt guard - Lifting lugs - Shaft locking collar.

DIMENSION DATA

Size	A	B	C	D	E	F	Shaft Diameter	Max Mtr Frame	Ship Wt. Approx.
90	12-13/16	19-7/8	15-7/8	19-3/16	5/8	23-13/16	1	184T	158
120	17-1/16	24	20-1/16	23-9/16	5/8	26-1/4	1-3/16	215T	219
135	19-1/4	27	22-1/4	25-13/16	5/8	27-1/2	1-3/16	215T	300
150	21-3/8	30	24-3/8	28	5/8	28-7/8	1-3/16	215T	322
165	23-1/2	33	26-1/2	30-1/8	5/8	29-7/16	1-7/16	254T	384
180	25-5/8	35	28-5/8	32-5/16	5/8	30-3/4	1-7/16	254T	427
202	28-3/4	37-1/2	31-3/4	35-1/2	5/8	32-11/16	1-11/16	256T	539
225	31-15/16	41	34-15/16	38-3/4	5/8	36-13/16	1-15/16	284T	660
245	34-3/4	44-1/2	37-3/4	41-9/16	5/8	38-7/16	1-15/16	286T	758
270	38-5/16	47	41-5/16	45-1/8	5/8	40-7/16	2-3/16	286T	878
300	42-1/2	54	45-1/2	49-3/8	5/8	43-1/4	2-3/16	286T	1080
330	46-3/4	58-1/2	49-3/4	53-5/8	5/8	47-3/4	2-7/16	324T	1330
365	51-3/4	64	54-3/4	59-1/2	7/8	50-7/16	2-15/16	326T	1840
402	56-15/16	68-1/2	59-15/16	64-7/8	7/8	55-5/8	3-7/16	364T	2220
445	63-1/16	74	66-1/16	70-7/8	7/8	58-15/16	3-7/16	365T	2660
490	69-3/8	80-1/2	72-3/8	78-1/8	1-1/4	63-7/8	3-15/16	404T	3330
540	76-7/16	87	79-7/16	85-3/16	1-1/4	67-5/8	3-15/16	404T	3840

ALL DIMENSIONS IN INCHES. WEIGHTS IN LBS., LESS MOTOR.