



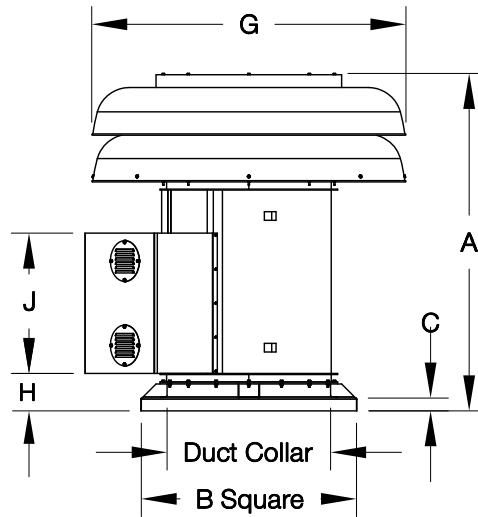
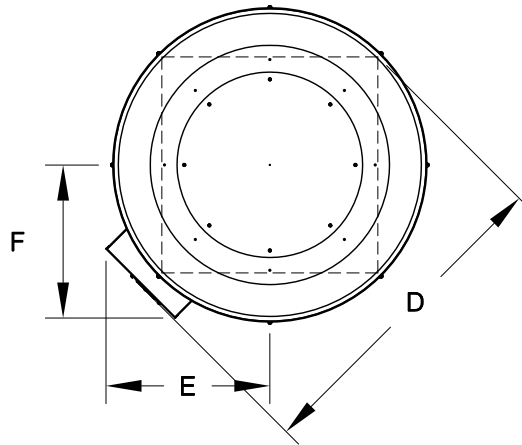
COOK

QMXS/QMXS-HP

DATE: _____
 PROJECT: _____
 LOCATION: _____



Mixed-Flow Supply Blower
 Low Pressure/High Pressure
 Belt Drive
 Arrangement 9



DIMENSION DATA

Size	A	B Sqr.	C	D	E	F	G	H	J	Duct Collar	Max. Mtr. Frame	QMXS Ship Wt.	QMXS-HP Ship Wt.
90	45-3/4	20	3	37-3/8	22-1/2	21-1/4	28-9/16	9-3/16	19-1/4	12-13/16	184T	251	256
120	46-11/16	24	3	43-5/8	25-3/8	24-3/8	32-13/16	8-3/16	21-7/16	17-1/16	213T	327	330
135	53-3/4	26	3	46-1/2	27-1/4	25-3/8	43-9/16	8-3/16	21-3/4	19-1/4	213T	418	416
150	56-3/4	30	3	51	28	26-1/8	43-9/16	8-3/16	21-3/4	21-3/8	215T	486	497
165	62-1/2	35	3	55	29-13/16	27-1/8	47-5/8	8-3/16	27-1/4	23-1/2	254T	587	612
180	71-13/16	37	3	57-3/4	30-3/4	28-1/8	52-5/8	8-1/8	27-1/4	25-5/8	254T	662	682
202	76-1/16	40	3	61-13/16	32-1/8	29-1/2	62-5/8	8-1/8	27-1/4	28-3/4	256T	805	827
225	79-9/16	43	3	68-1/8	35-1/2	33	62-5/8	8-1/8	32-5/8	31-15/16	284T	902	948
245	75-7/16	46	3	71-13/16	36-5/8	34-1/8	73-5/8	8-11/16	32-5/8	34-3/4	286T	1088	1129
270	78-3/16	50	3	76-5/16	38	35-9/16	73-5/8	8-15/16	32-5/8	38-5/16	286T	1238	1274
300	85-9/16	54	3	82	40	37-5/8	73-5/8	9-15/16	32-5/8	42-1/2	286T	1433	1473

ALL DIMENSIONS IN INCHES. WEIGHTS IN LBS., LESS MOTOR.

TM014R01