



COOK

QMXDVP/QMXDHPVP

DATE: _____
 PROJECT: _____
 LOCATION: _____



Vari-Plume®
Laboratory Exhaust
Mixed-Flow Inline
Dual Access Direct Drive
with Dual Mixing Box
Parallel Bypass

DIMENSION DATA

| Size | A | B | C | D | F | G | H | J | K | L | M | Approx. Ship Wt. |
|------|-----|----|----------|-----|-----|----------|----|---------|---------|-----|---------|------------------|
| 150 | 120 | 30 | 29 1/8 | 36 | 38 | 16 9/16 | 8 | 20 9/16 | 67 5/16 | 68 | 38-9/16 | 1862 |
| 165 | 125 | 32 | 31 1/8 | 36 | 41 | 18 5/16 | 8 | 22 9/16 | 71 5/16 | 72 | 40-9/16 | 2039 |
| 180 | 133 | 34 | 33 1/8 | 43 | 44 | 19 1/16 | 8 | 24 9/16 | 83 5/16 | 84 | 50-9/16 | 2300 |
| 202 | 143 | 38 | 36 15/16 | 50 | 49 | 22 9/16 | 8 | 28 9/16 | 89 1/8 | 90 | 52-9/16 | 2728 |
| 225 | 154 | 42 | 40 15/16 | 50 | 54 | 22 9/16 | 9 | 30 9/16 | 92 1/8 | 93 | 51-9/16 | 3131 |
| 245 | 165 | 44 | 42 15/16 | 61 | 57 | 24 13/16 | 9 | 32 9/16 | 107 1/8 | 108 | 64-9/16 | 3544 |
| 270 | 175 | 48 | 46 15/16 | 61 | 62 | 26 9/16 | 9 | 36 9/16 | 111 1/8 | 112 | 64-9/16 | 3954 |
| 300 | 197 | 52 | 50 15/16 | 74 | 68 | 29 13/16 | 9 | 40 9/16 | 131 1/8 | 132 | 80-9/16 | 4740 |
| 330 | 206 | 56 | 54 13/16 | 74 | 73 | 33 1/16 | 9 | 44 9/16 | 135 1/8 | 136 | 80-9/16 | 4844 |
| 365 | 233 | 62 | 60 3/4 | 89 | 82 | 35 1/16 | 11 | 46 7/16 | 158 | 159 | 97-3/4 | 6367 |
| 402 | 247 | 67 | 65 5/8 | 89 | 90 | 41 5/16 | 11 | 50 3/8 | 163 | 164 | 97-3/4 | 7533 |
| 445 | 276 | 74 | 72 5/8 | 89 | 102 | 47 1/16 | 13 | 55 3/8 | 170 | 171 | 97-3/4 | 9067 |
| 490 | 305 | 80 | 78 1/2 | 101 | 113 | 57 5/16 | 13 | 59 3/16 | 191 | 192 | 112-7/8 | 13066 |
| 540 | 336 | 87 | 85 3/8 | 101 | 126 | 66 1/16 | 15 | 62 3/16 | 200 7/8 | 202 | 115-3/4 | 16158 |
| 600 | 376 | 96 | 94 3/8 | 101 | 144 | 81 9/16 | 15 | 69 3/16 | 211 7/8 | 213 | 117-3/4 | 19662 |

ALL DIMENSIONS IN INCHES. WEIGHTS IN LBS., LESS MOTOR.
 * RECOMMENDED CURB OUTSIDE SQUARE DIMENSION.
 ** MIXING BOX INSIDE SQUARE DIMENSION.
 *** DIMENSION IS FROM THE BOTTOM OF THE CURB CAP TO THE TOP OF THE CURB.

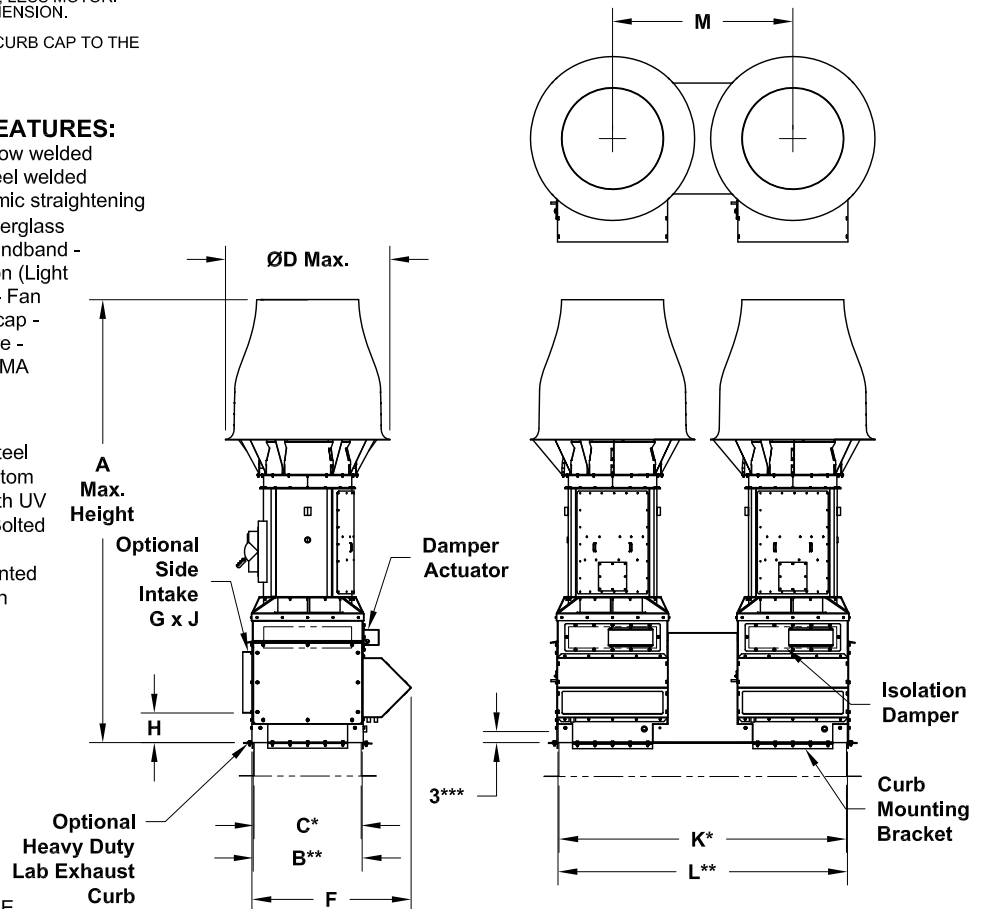
STANDARD CONSTRUCTION FEATURES:

High efficiency, non-overloading mixed-flow welded aluminum wheel - Minimum 14 gauge steel welded dual access housing - Welded aerodynamic straightening vanes - Double concentric accelerator fiberglass reinforced plastic induction nozzle and windband - Phenolic epoxy powder with UV protection (Light Gray) - Bolted access door - Lifting lugs - Fan drain - Weather cover - Reinforced curb cap - Inlet duct collar - Stainless Steel hardware - Stainless Steel extended lube lines - NEMA 3R disconnect mounted and pre-wired - Designed to withstand 125 mph wind****

BYPASS PLENUM: Single wall welded steel construction with inner angle frame - Bottom inlet location - Phenolic epoxy powder with UV protection (Light Gray) - Plenum drain - Bolted access door - Painted aluminum bypass damper with manual hand quadrant - Painted aluminum isolation damper with 2 position actuator - Weather hood - Stainless steel birdscreen - Stainless Steel hardware - Designed to withstand 125 mph****

OPTIONAL FEATURES SHOWN:

Heavy Duty Lab Exhaust Curb
 Side Intake Opening



NOT INTENDED TO BE SUPPORTED BY TRADITIONAL SHEETMETAL ROOF CURB, BUT BY INTEGRAL MEMBERS OF ROOF STRUCTURE.

**** WINDLOAD RATING DEPENDANT ON ADEQUATE ATTACHMENT TO ROOF STRUCTURE.