



# COOK

# QMXDVP/QMXDHPVP

DATE: \_\_\_\_\_

PROJECT: \_\_\_\_\_

LOCATION: \_\_\_\_\_



**Vari-Plume®**  
**Laboratory Exhaust**  
**Mixed-Flow Inline**  
**Bifurcated Direct Drive**  
**with Triple Mixing Box**  
**Parallel Bypass**

**DIMENSION DATA**

Size	A	B	C	D	F	G	H	J	K	L	M	Approx. Ship Wt.
150	120	30	29 1/8	36	38	16 9/16	8	20 9/16	105 1/2	106	38-9/16	2844
165	125	32	31 1/8	36	41	18 5/16	8	22 9/16	111 1/2	112	40-9/16	3108
180	133	34	33 1/8	43	44	19 1/16	8	24 9/16	133 1/2	134	50-9/16	3525
202	143	38	36 15/16	50	49	22 9/16	8	28 9/16	141 1/4	142	52-9/16	4169
225	154	42	40 15/16	50	54	22 9/16	9	30 9/16	143 1/4	144	51-9/16	4760
245	165	44	42 15/16	61	57	24 13/16	9	32 9/16	171 5/16	172	64-9/16	5421
270	175	48	46 15/16	61	62	26 9/16	9	36 9/16	175 5/16	176	64-9/16	6026
300	197	52	50 15/16	74	68	29 13/16	9	40 9/16	211 5/16	212	80-9/16	7285
330	206	56	54 13/16	74	73	33 1/16	9	44 9/16	215 5/16	216	80-9/16	7344
365	233	62	60 3/4	89	82	35 1/16	11	46 7/16	255 1/4	257	97-3/4	9687
402	247	67	65 5/8	89	90	41 5/16	11	50 3/8	260 3/8	262	97-3/4	11418
445	276	74	72 5/8	89	102	47 1/16	13	55 3/8	267 3/8	269	97-3/4	13669
490	305	80	78 1/2	101	113	57 5/16	13	59 3/16	303 1/2	305	112-7/8	19722
540	336	87	85 3/8	101	126	66 1/16	15	62 3/16	316 3/8	318	115-3/4	24287
600	376	96	94 3/8	101	144	81 9/16	15	69 3/16	329 3/8	331	117-3/4	29406

ALL DIMENSIONS IN INCHES. WEIGHTS IN LBS., LESS MOTOR.

\* RECOMMENDED CURB OUTSIDE SQUARE DIMENSION.

\*\* MIXING BOX INSIDE SQUARE DIMENSION.

\*\*\* DIMENSION IS FROM THE BOTTOM OF THE CURB CAP TO THE TOP OF THE CURB.

NOT INTENDED TO BE SUPPORTED BY TRADITIONAL SHEETMETAL ROOF CURB, BUT BY INTEGRAL MEMBERS OF ROOF STRUCTURE.

\*\*\*\* WINDLOAD RATING DEPENDANT ON ADEQUATE ATTACHMENT TO ROOF STRUCTURE.

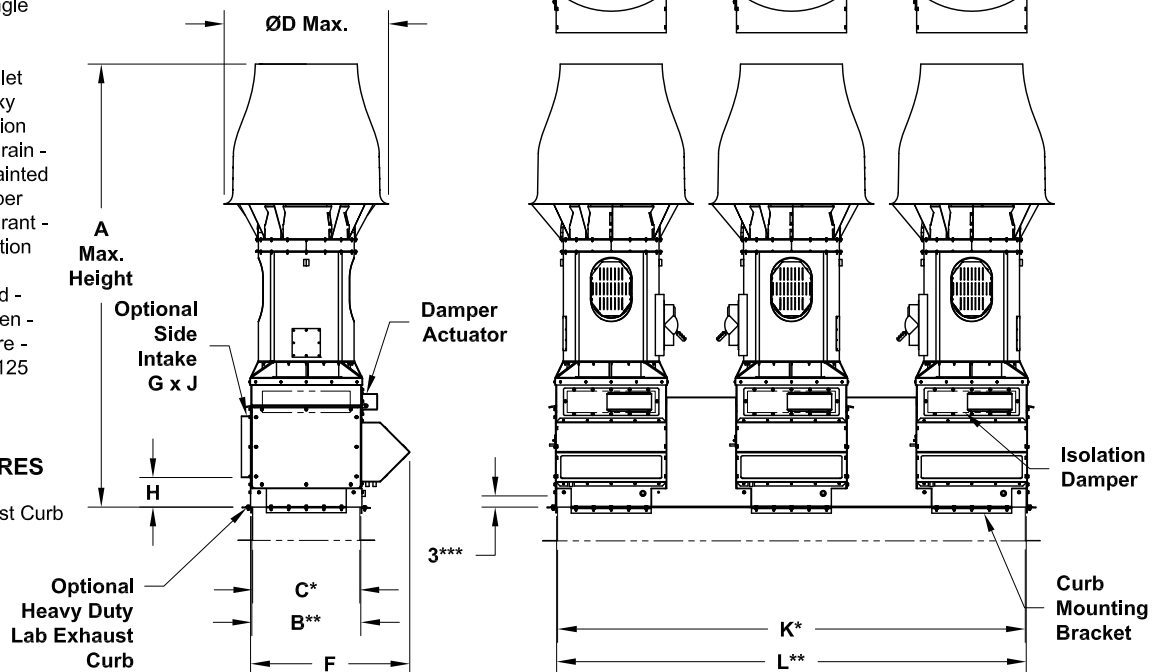
**STANDARD CONSTRUCTION FEATURES:**

High efficiency, non-overloading mixed-flow welded aluminum wheel - Minimum 14 gauge steel welded bifurcated housing - Welded aerodynamic straightening vanes - Double concentric accelerator fiberglass reinforced plastic induction nozzle and windband - Phenolic epoxy powder with UV protection (Light Gray) - Bolted access door - Lifting lugs - Fan drain - Weather cover - Reinforced curb cap - Inlet duct collar - Stainless Steel hardware - Stainless Steel extended lube lines - NEMA 3R disconnect mounted and pre-wired - Designed to withstand 125 mph wind\*\*\*\*

**BYPASS PLENUM:** Single wall welded steel construction with inner angle frame - Bottom inlet location - Phenolic epoxy powder with UV protection (Light Gray) - Plenum drain - Bolted access door - Painted aluminum bypass damper with manual hand quadrant - Painted aluminum isolation damper with 2 position actuator - Weather hood - Stainless steel birdscreen - Stainless Steel hardware - Designed to withstand 125 mph\*\*\*\*

**OPTIONAL FEATURES SHOWN:**

Heavy Duty Lab Exhaust Curb  
 Side Intake Opening



TM030R01