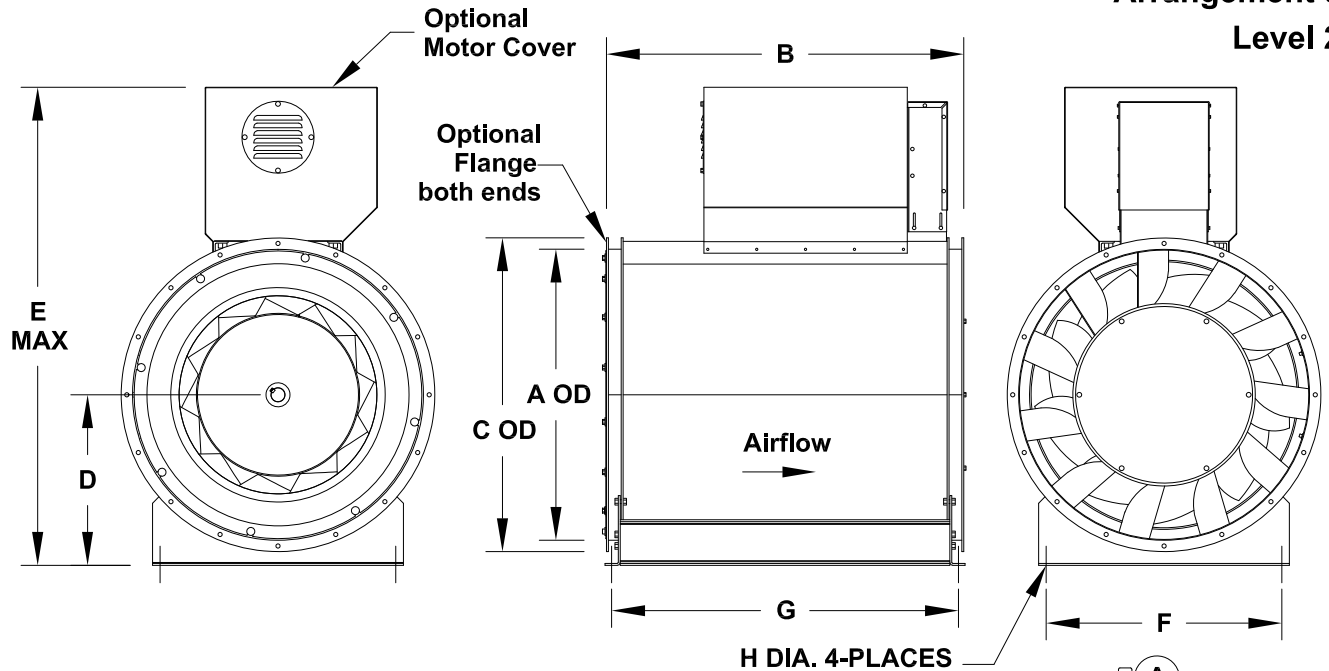


DATE: _____
 PROJECT: _____
 LOCATION: _____



**Mixed Flow Inline
 Horizontal Mount
 Belt Drive
 Arrangement 9
 Level 2**

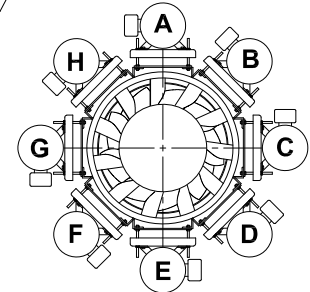


STANDARD CONSTRUCTION FEATURES:

High efficiency mixed flow wheel - Continuously welded steel housing with Lorenized powder coating - Welded aerodynamic straightening vanes - Integral inlet and outlet collars for slip fit duct connections - Adjustable motor plate utilizing threaded studs for positive belt tensioning - Heavy duty ball or roller bearings with extended lube lines - Belt guard - Lifting lugs - Adjustable mounting feet.

**MOTOR POSITION CHART
 (View Facing Outlet)**

Mounting positions are field adjustable.



DIMENSION DATA

Size	A	B	C	D	E	F	G	H	Shaft Diameter	Max Motor Frame	Approx. Unit Wt.
150	21-3/8	30	24-3/8	13-3/16	42-1/16	18-3/4	28-5/8	7/16	1-3/16	215T	350
165	23-1/2	33	26-1/2	14-5/16	47-3/8	20-13/16	31-5/8	7/16	1-3/16	254T	405
180	25-9/16	35	28-9/16	15-1/2	49-5/8	22-13/16	33-5/8	7/16	1-3/16	254T	449
202	28-3/4	37-1/2	31-3/4	17-1/4	52-7/16	24-1/4	36-1/8	7/16	1-7/16	256T	536
225	31-15/16	41	34-15/16	19	58-1/4	26-15/16	39-5/8	7/16	1-15/16	284T	670
245	34-3/4	44-1/2	37-3/4	20-1/2	61-7/8	28-15/16	43-1/8	7/16	2-3/16	284T	780
270	38-5/16	47	41-5/16	22-7/16	65-1/4	31	45-5/8	7/16	2-3/16	286T	897
300	42-1/2	54	45-1/2	24-3/4	77-5/8	33-3/4	52-5/8	7/16	2-15/16	365T	1213
330	46-3/4	58-1/2	49-3/4	27	85-1/16	36-3/4	57-1/8	7/16	2-15/16	404T	1504
365	51-3/4	64	54-3/4	29-13/16	91-3/8	40-1/2	63-3/8	7/16	3-7/16	405T	1863
402	56-15/16	68-1/2	59-15/16	32-11/16	100	44	67-7/8	1/2	3-7/16	444T	2474
445	63-1/8	74	66-1/4	36	105-7/16	48-1/4	73-3/8	9/16	3-7/16	445T	3162
490	69-1/2	80-1/2	72-5/8	39-7/16	112-7/16	52-3/4	79-7/8	5/8	3-7/16	447T	3948
540	76-1/2	87	80	43-5/16	122-3/16	58	86-3/8	5/8	3-15/16	449T	4883
600	85	95-1/2	88-7/8	50	136-5/8	64	94-7/8	13/16	3-15/16	5007B/C	6031

ALL DIMENSIONS IN INCHES. WEIGHTS IN LBS., LESS MOTOR.