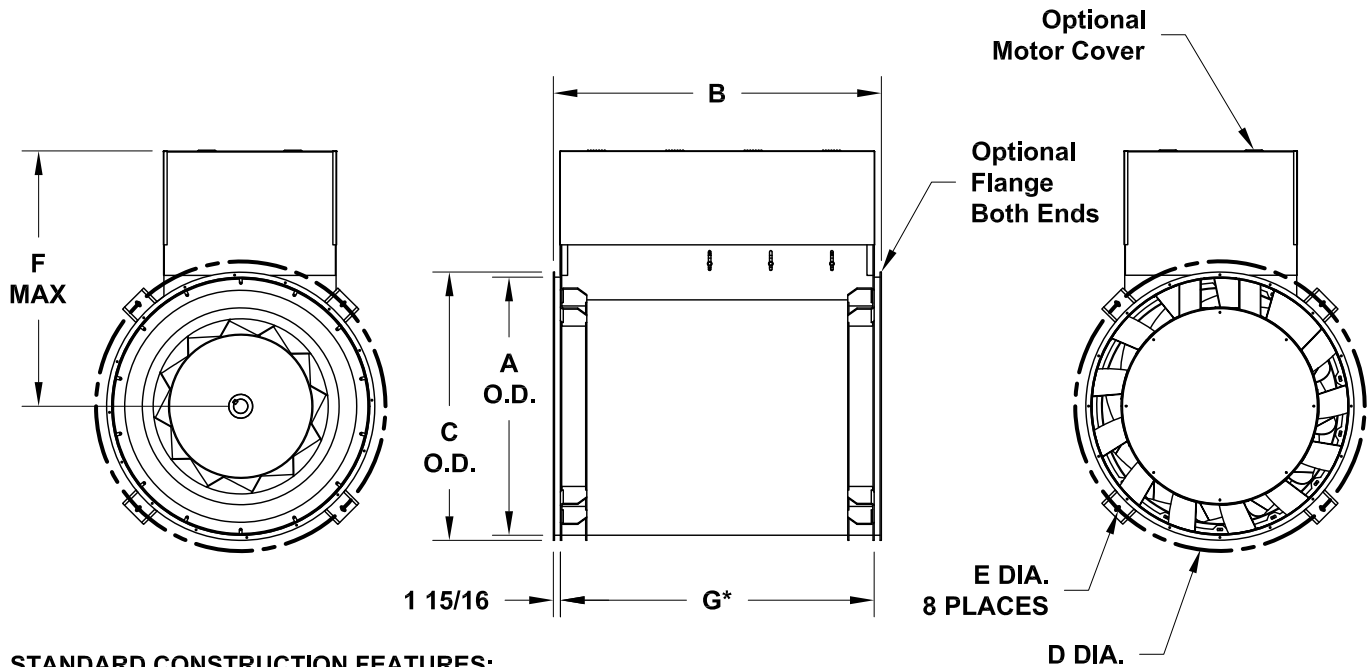


DATE: _____
 PROJECT: _____
 LOCATION: _____



**Mixed Flow Inline
 Vertical Mount
 Belt Drive
 Arrangement 9
 Level 3**



STANDARD CONSTRUCTION FEATURES:

High efficiency mixed flow wheel - Continuously welded steel housing with Lorenized powder coating - Welded aerodynamic straightening vanes - Integral inlet and outlet collars for slip fit duct connections - Adjustable motor plate utilizing threaded studs for positive belt tensioning - Heavy duty ball or roller bearings with extended lube lines - Belt guard - Lifting lugs - Shaft locking collar.

DIMENSION DATA

Size	A	B	C	D	E	F	G*	Shaft Diameter	Max Mtr Frame	Approx. Unit Wt.
150	21-1/2	30	24-1/2	28	5/8	33-1/16	26-1/4	1-15/16	284TS	485
165	23-5/8	33	26-5/8	30-1/8	5/8	35-3/8	29-1/4	1-15/16	286TS	571
180	25-3/4	35	28-3/4	32-5/16	5/8	38-5/8	31-1/4	2-3/16	324TS	711
202	28-15/16	37-1/2	31-15/16	35-1/2	5/8	39-13/16	33-3/4	2-7/16	326TS	854
225	32-1/8	41	35-1/8	38-3/4	5/8	44-3/16	37-1/4	2-15/16	364T	1091
245	34-15/16	44-1/2	37-15/16	41-9/16	7/8	46-3/4	40-3/4	3-7/16	364T	1307
270	38-7/16	47	41-7/16	45-1/8	7/8	48	43-1/4	3-7/16	365T	1551
300	42-11/16	54	45-11/16	49-3/8	7/8	58-1/16	50-1/4	3-7/16	444T	1819
330	46-7/8	58-1/2	49-7/8	53-5/8	1-1/16	61-3/8	54-3/4	2-15/16	445T	2366
365	52	64	55-1/8	59-1/2	1-1/16	65-1/4	60-1/4	2-15/16	447T	3091
402	57-3/16	68-1/2	60-5/16	64-7/8	1-1/16	67-13/16	64-3/4	2-15/16	447T	3766
445	63-1/4	74	66-3/4	70-7/8	1-5/16	71-3/4	70-1/4	2-15/16	449T	4939
490	69-5/8	80-1/2	73-1/2	78-1/8	1-5/16	75	76-3/4	3-7/16	449T	6419
540	76-11/16	87	80-15/16	85-3/16	1-5/16	80-1/8	83-1/4	3-15/16	449T	8165
600	85-1/8	95-1/2	90-1/8	93-3/4	1-5/16	92-15/16	91-3/4	3-15/16	5808B/C	10807

ALL DIMENSIONS IN INCHES. WEIGHTS IN LBS., LESS MOTOR.

* DISTANCE BETWEEN FEET - OUTSIDE TO OUTSIDE