



COOK

AFB-C

DATE: _____

PROJECT: _____

LOCATION: _____



Tube Axial Fan
Horizontal Floor Mount
Belt Drive
Arrangement 9

DIMENSION DATA

Size	A	B	C	D	E	F	G	H	J	K	L	M
12	12-7/8	15-5/8	14-5/8	12 Ga.	22	5/16	6	24-5/8	9-3/4	20-1/8	15/16	16
16	16-7/8	19-5/8	18-5/8	12 Ga.	25	5/16 x 5/8	6	30-1/8	11-3/4	23-1/8	15/16	20
18	18-7/8	21-5/8	20-5/8	12 Ga.	25	5/16 x 5/8	6	31-1/8	12-3/4	23-1/8	15/16	22
24	24-7/8	29-1/8	26-7/8	10 Ga.	31	7/16 x 3/4	6	39-7/8	16	29-1/8	15/16	28-1/2
28	28-7/8	33-1/8	30-7/8	10 Ga.	31	7/16 x 3/4	6	41-7/8	18	29-1/8	15/16	32-1/2
32	33	37-1/4	35	10 Ga.	34	7/16 x 3/4	6	45-1/4	20-1/8	32-1/8	15/16	36-5/8
36	37	41-3/8	39	10 Ga.	34	7/16 x 3/4	6	47-1/4	22-1/8	32-1/8	15/16	40-5/8
44	45	49-3/8	47-1/2	10 Ga.	42	7/16 x 3/4	12	58-3/4	26-1/8	40	1	48-3/4
48	49-1/8	53-1/2	51-5/8	10 Ga.	42	7/16 x 3/4	12	60-3/4	28-3/4	40	1	53-7/8
54	55-3/8	60-3/4	57-5/8	7 Ga.	42	7/16 x 3/4	12	51-3/4	31-7/8	39-3/4	1-1/8	60-1/8
60	61-3/8	66-3/4	63-5/8	7 Ga.	42	7/16 x 3/4	12	54-3/4	34-7/8	39-3/4	1-1/8	66-1/8

Size	N	P	ODP Max. Mtr. Frame	Ship Wt. less Mtr.
12	6	9/16	145T	96
16	8	9/16	182T	133
18	9	9/16	213T	152
24	12-1/4	9/16	215T	255
28	14-1/4	9/16	254T	293
32	16-5/16	9/16	254T	384
36	18-5/16	9/16	256T	423
44	22-3/8	9/16	286T	640
48	24-15/16	9/16	324T	755
54	28-1/16	9/16	326T	1022
60	31-1/16	9/16	364T	1136

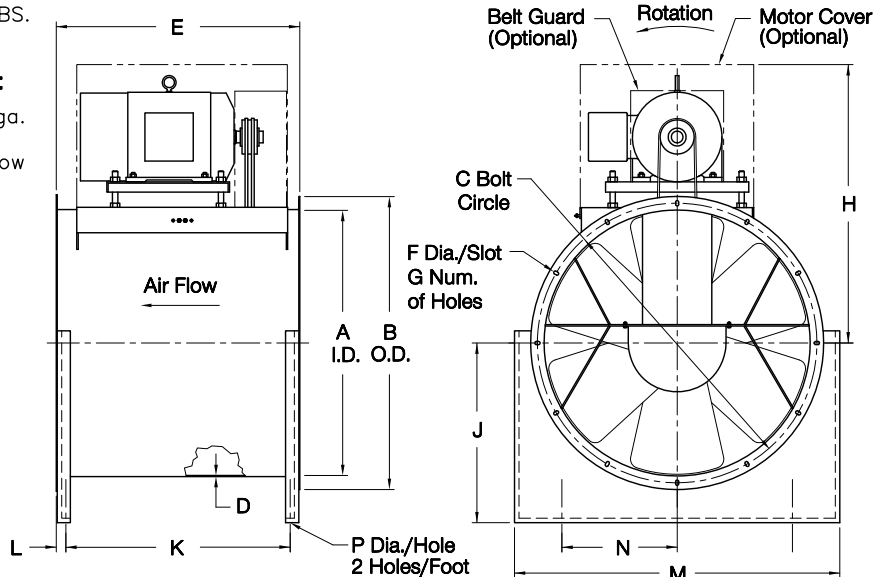
ALL DIMENSIONS IN INCHES. WEIGHTS IN LBS.

STANDARD CONSTRUCTION FEATURES:

All aluminum cast prop - Minimum 12 ga.
 Lorenized steel housing - Extended lube
 lines - Regreasable bearings in cast pillow
 block housing.

ACCESSORIES

1. INLET/OUTLET GUARD
2. INLET/OUTLET COMPANION FLANGE
3. VIBRATION ISOLATORS
4. INLET BELL
5. INLET/OUTLET CONE
6. ACCESS DOOR
7. SOUND MUFFLER
8. VANE SECTION
9. MOTOR COVER
10. BELT GUARD
11. BOMBAY DOORS



LARGEST MOTOR SHIPPED MOUNTED: ODP (OPEN DRIP-PROOF) 25 HP; 2 SP (2 SPEED) 20 HP;
 X-PRF (EXPLOSION PROOF) 20 HP; TEFC (TOTALLY ENCLOSED FAN COOLED) 20 HP.

VA040R03