



# COOK

# AFB-C

DATE: \_\_\_\_\_

PROJECT: \_\_\_\_\_

LOCATION: \_\_\_\_\_

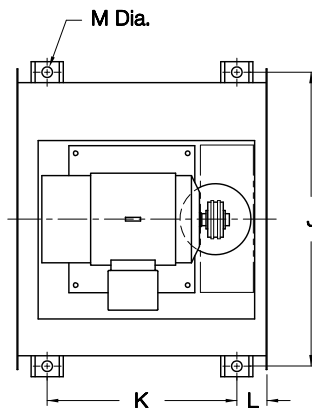


**Tube Axial Fan  
Horizontal Ceiling Mount  
Belt Drive  
Arrangement 9**

**DIMENSION DATA**

Size	A	B	C	D	E	F	G	H	J	K	L	M
12	12-7/8	15-5/8	14-5/8	12 Ga.	22	5/16	6	24-5/8	15	15	3-1/2	7/16
16	16-7/8	19-5/8	18-5/8	12 Ga.	25	5/16 x 5/8	6	30-1/8	19	18	3-1/2	7/16
18	18-7/8	21-5/8	20-5/8	12 Ga.	25	5/16 x 5/8	6	31-1/8	21	18	3-1/2	7/16
24	24-7/8	29-1/8	26-7/8	10 Ga.	31	7/16 x 3/4	6	39-7/8	27	23	4	7/16
28	28-7/8	33-1/8	30-7/8	10 Ga.	31	7/16 x 3/4	6	41-7/8	31	23	4	7/16
32	33	37-1/4	35	10 Ga.	34	7/16 x 3/4	6	45-1/4	35-1/2	25-1/2	4-1/4	11/16
36	37	41-3/8	39	10 Ga.	34	7/16 x 3/4	6	47-1/4	39-1/8	25-1/2	4-1/4	11/16
44	45	49-3/8	47-1/2	10 Ga.	42	7/16 x 3/4	12	58-3/4	47-5/8	33-1/2	4-1/4	11/16
48	49-1/8	53-1/2	51-5/8	10 Ga.	42	7/16 x 3/4	12	60-3/4	51-3/4	32-1/2	4-3/4	11/16
54	55-3/8	60-3/4	57-5/8	7 Ga.	42	7/16 x 3/4	12	51-3/4	58	32-1/2	4-3/4	11/16
60	61-3/8	66-3/4	63-5/8	7 Ga.	42	7/16 x 3/4	12	54-3/4	64	32-1/2	4-3/4	11/16

Size	ODP Max. Mtr. Frame	Ship Wt. less Mtr.
12	145T	97
16	182T	132
18	213T	149
24	215T	244
28	254T	278
32	254T	373
36	256T	408
44	286T	599
48	324T	700
54	326T	963
60	364T	1065



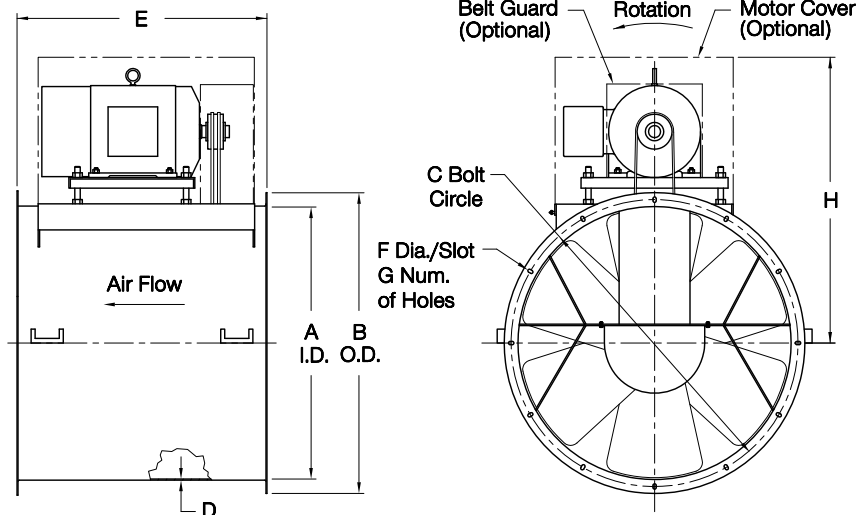
ALL DIMENSIONS IN INCHES. WEIGHTS IN LBS.

**STANDARD CONSTRUCTION FEATURES:**

All aluminum cast prop - Minimum 12 ga.  
Lorenized steel housing - Extended lube lines - Regreasable bearings in cast pillow block housing.

**ACCESSORIES**

1. INLET/OUTLET GUARD
2. INLET/OUTLET COMPANION FLANGE
3. VIBRATION ISOLATORS
4. INLET BELL
5. INLET/OUTLET CONE
6. ACCESS DOOR
7. SOUND MUFFLER
8. VANE SECTION
9. MOTOR COVER
10. BELT GUARD



**LARGEST MOTOR SHIPPED MOUNTED:** ODP (OPEN DRIP-PROOF) 25 HP; 2 SP (2 SPEED) 20 HP;  
X-PRF (EXPLOSION PROOF) 20 HP; TEFC (TOTALLY ENCLOSED FAN COOLED) 20 HP.

VA041R03