



COOK

Roof Exhauster AFB-C

DATE: _____

PROJECT: _____

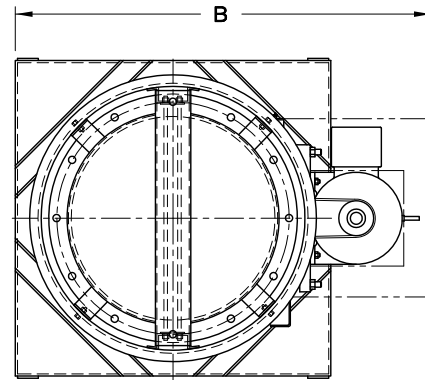
LOCATION: _____



Tube Axial Fan
Roof Exhauster
Belt Drive
Arrangement 9

DIMENSION DATA

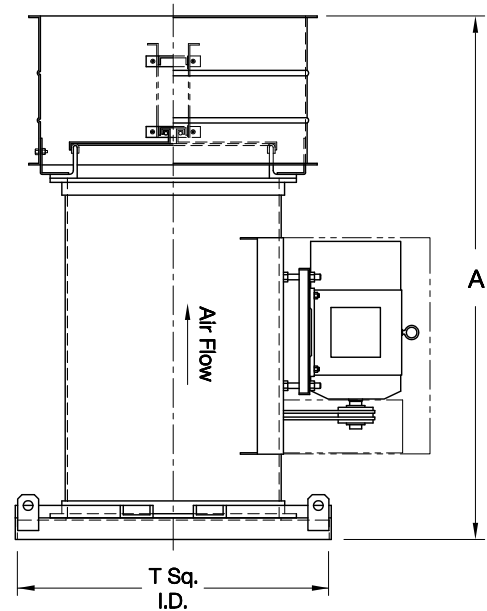
Size	A	B	T Sq.	ODP Max. Mtr. Frame	Ship Wt. less Mtr.
12	36	35-5/8	22	145T	164
16	39	43-1/8	26	182T	213
18	47	45-1/8	28	213T	239
24	54	57-7/8	36	215T	387
28	54	62-7/8	42	254T	457
32	63	66-1/4	42	254T	589
36	63	71-1/4	48	256T	653
44	83	85-3/4	54	286T	934
48	83-1/2	89-7/8	58-1/4	324T	1085
54	83-1/2	83-7/8	64-1/4	326T	1418
60	83-1/2	89-7/8	70-1/4	364T	1562



ALL DIMENSIONS IN INCHES. WEIGHTS IN LBS.

STANDARD CONSTRUCTION FEATURES:

All aluminum cast prop – Minimum 12 ga.
Lorenized steel housing – Extended lube lines – Regreasable bearings in cast pillow block housing – Integral lifting lugs.



ACCESSORIES

1. INLET/OUTLET GUARD
2. INSPECTION DOOR
3. MOTOR COVER
4. HUB COVER
5. BOMBAY DOORS (N/A 12 & 14)

QTY	MARK	CATALOG NUMBER	FAN INFORMATION			MOTOR INFORMATION					ACCESSORIES	
			CFM	SP	RPM	HP	VOLTS	HZ	PH	TYPE		

LARGEST MOTOR SHIPPED MOUNTED: ODP (OPEN DRIP-PROOF) 25 HP; 2 SP (2 SPEED) 20 HP; X-PRF (EXPLOSION PROOF) 20 HP; TEFC (TOTALLY ENCLOSED FAN COOLED) 20 HP.

VA049R01